

---

## FEATURES

### *Keypad Programmable*

The PC2525 is complete with a default program so that it is operational with a minimum of programming. The control panel is completely programmable from the keypad.

### *EEPROM Memory*

The panel uses EEPROM memory which will retain all program information even if AC and battery power is removed from the panel. The EEPROM memory can be reprogrammed thousands of times.

### *Static/Lightning Protection*

The PC2525 has been carefully designed and tested to provide reliable protection against static and lightning induced transients. Our special "Zap-Trac" circuit board design catches high voltage transients right at the wiring terminals, and transient protection devices are placed in all critical areas to further reduce damaging voltages.

### *Supervision*

- Low or disconnected battery
- Loss of AC power
- Loss of time on system clock
- Fire zone supervision using end-of-line resistance
- Bell supervision indicating open circuit or fuse failure
- Test code feature which transmits a communicator test code to the monitoring station at programmed intervals
- Keypad-activated bell/siren and communicator test feature
- Telephone Line supervision
- Microprocessor "Watchdog" circuit

### *Operation*

- Download / Upload capability
- Programmable auto downloading
- Swinger shutdown
- Transmission delay
- 8 Access Codes
- Master Code
- All zones programmable as fire zones
- Programmable test transmission
- Zone bypass from the keypad
- Eight zones
- Bell / Siren zone
- Programmable output
- Three dedicated keys (Fire/Auxiliary/Panic)
- Backlit aesthetically pleasing keypad

## SPECIFICATIONS

### *PC2525 Control Panel*

- Eight fully programmable zones
  - EOL resistor supervised option
  - all zones programmable as fire zones
  - maximum zone loop resistance: 100 ohms
- Bell / Siren outputs: fused at 5 amp
  - steady for burglary
  - pulsed for fire
- Programmable output: 50 mA
  - 16 programmable options
- Auxiliary power output: 400 mA maximum
- PC2550RK keypads: 5 maximum
- Maximum Current (Auxiliary and Keypad supplies)
  - 575 mA with 16 VAC 40 VA transformer
  - 250 mA with 16 VAC 20 VA transformer
- Battery: 12 VDC, 1.2 Ah minimum
  - 1.2 Ah provides 3 hours of stand-by at 200 mA auxiliary output (Auxiliary and Keypad supplies)
  - 4.0 Ah provides 4.5 hours of stand-by at 575 mA auxiliary output (Auxiliary and Keypad supplies)
- Transformer: 16 VAC, 20 VA minimum
- Panel dimensions:
  - 11" high × 11.8" wide × 3.3" (279 mm × 300 mm × 84mm)
  - Surface mount
- Panel colour: light beige

### *PC2550RK Keypad*

- Three keypad activated zones
  - Fire / Auxiliary / Panic
- Backlit keys
- 7 system lights
  - Ready, Armed, Memory, Bypass, Trouble, Fire, Program
- 8 Zone Lights
- Keypad dimensions
  - 5.5" high × 4.5" wide × 1" deep (140 mm × 114 mm × 25 mm)
  - Surface mount
- Keypad colour - mist

---

# INSTALLATION

## Mounting the Panel

Select a dry location close to an unswitched AC source and close to the telephone line connection. Remove the control panel, the mounting hardware and the keypad from the cardboard retainer inside the cabinet. Before attaching the cabinet to the wall, press the five circuit board mounting studs into the cabinet from the back. Once the cabinet is mounted to the wall, pull all the cables into the cabinet and prepare them for connection. Use a meter to test the wiring for opens, shorts and grounds. Press the circuit board onto the mounting studs. **Complete all wiring to the control panel before applying AC power or connecting the battery.**

## Mounting the Keypad

Keypads should be located close to the designated "Entry-Exit" doors and mounted at a height convenient for all users.

## Auxiliary Power Connection

The auxiliary power supply can be used to power keypads, motion detectors and other devices that require 12 VDC. Refer to the Hook-up Diagram for Fire Zone wiring instructions. The total load for the auxiliary power output must be calculated for all devices connected across the AUX+/- terminals and for devices connected between the AUX+ and PGM terminals; allow 35 mA for each PC2550RK keypad connected to the panel. The output current cannot exceed 575 mA.

## Bell/Siren Connection

Observe polarity when connecting siren drivers, sirens and polarized bells.

## PGM Terminal Connections

The PGM terminal is a switched negative output which can be controlled by various programming options; refer to Programming Section [06]. Devices controlled by the PGM output must be connected between the negative PGM terminal and the AUX+ terminal.

## Keypad Wiring

Up to five keypads may be connected in parallel. Do not connect multiple keypads on the same wire run. For stand-by loading purposes, assume a current draw of 35 mA per keypad. This estimate represents the panel in the disarmed state with two open zones.

## AC Power Wiring

Complete all wiring to the control panel before connecting AC power or the battery. Do not plug the transformer into an outlet that is controlled by a switch.

## Battery Connection

Observe polarity when connecting the battery; if the battery connection is made in reverse, the battery fuse will open. The battery charging voltage is factory set and normally needs no adjustment.

If AC power is OFF and the battery voltage is approximately 9.5 V or lower, the battery will be disconnected and the panel will power down. To power up again, the AC will have to be re-established. This feature is designed to prevent damage to the battery due to prolonged discharging.

## Telephone Line Wiring

**Notice: Ensure that plugs and jack meet the dimension, tolerance and metallic plating requirements of 47 C.F.R. Part 68, Subpart F.**

**For proper operation, there must be no other telephone equipment connected between the control panel and the telephone company's facilities.**

**Warning: FCC restricts the use of this equipment on certain types of telephone lines. Read the FCC Compliance Statement at the rear of this manual. Also, do not use this equipment on a telephone line equipped with "call holding" features as the tones generated by these features may interfere with communicator operation.**

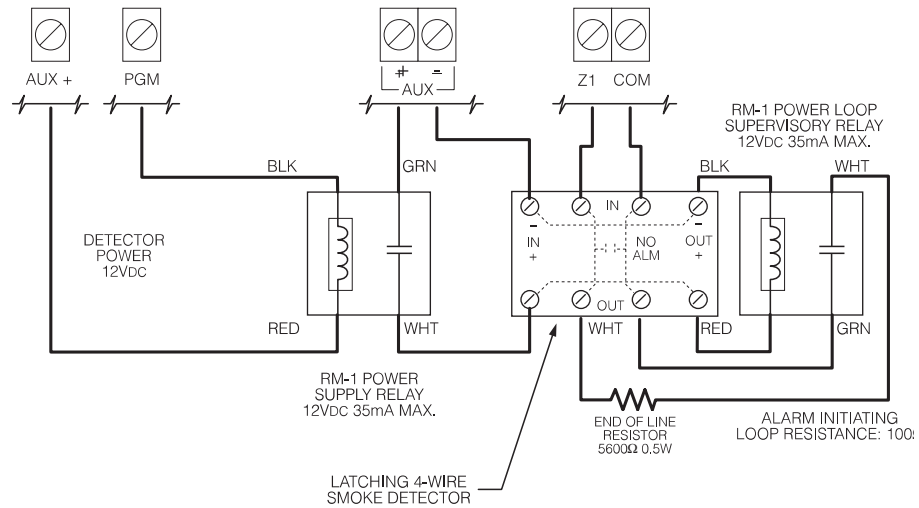
Do not connect the alarm panel communicator to telephone lines intended for use with facsimile (FAX) machines. These lines may incorporate a voice filter which disconnects the line if other than FAX signals are detected, resulting in incomplete transmissions.

## Ground Connection: EGND Terminal

The PC2525 has been designed to function properly whether the control panel is connected to ground or not. If the control panel is to be grounded, the connection to earth ground must be made to a copper cold water pipe or to a properly installed ground rod not less than 6' (2.83 m) in length. Note that a poor ground connection may actually interfere with the system's operation and may cause damage to the control panel.

## Fire Zone Wiring

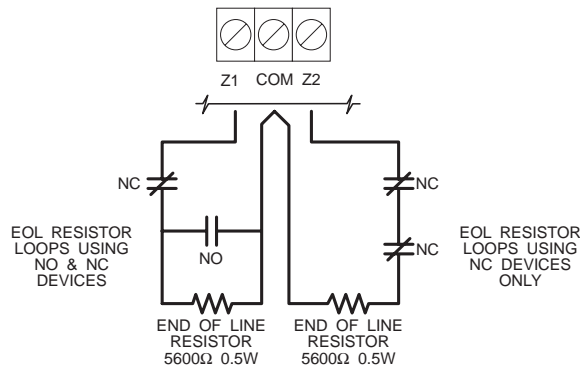
Any number of the 8 zones may be programmed as Fire Zones; refer to Programming Section [01]. Smoke detectors should be the latching type and have normally-open alarm initiating contacts. Power wiring from the AUX+ / PGM terminals should be supervised using a DSC RM-1 relay after the last smoke detector. The RM-1 normally-open contacts (closed with power applied) should be wired in series with the alarm initiating end-of-line resistor so that if power to the detectors fails, a fire zone trouble will be initiated.



Refer to the Hook-Up Diagram for instructions on using 2-wire smoke detectors (page 34). If 2-wire smoke detectors are used, the Programmable Output Option in Section [06] must be programmed as [00]. The 2-wire smoke detector circuit will operated in the same manner as a Type 8 Delayed Fire zone; refer to Section [01] Zone Definitions for more information.

## Burglary Zone Wiring

Refer to the Hook-up Diagram for burglary zone wiring instructions. Refer to Programming Section [01] for information on programming zone definitions.

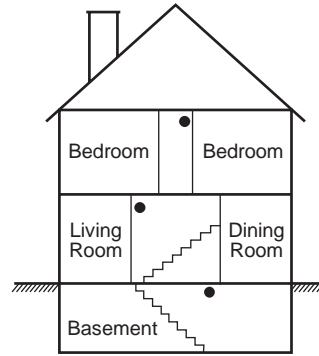


# GUIDELINES FOR LOCATING SMOKE DETECTORS

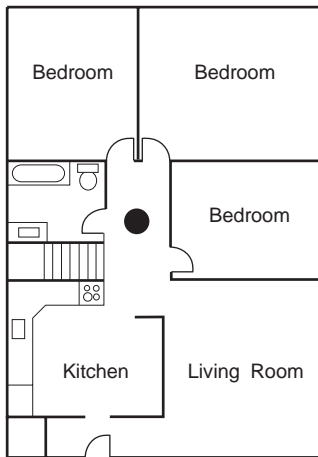
Experience has shown that all hostile fires in family living units generate smoke to a greater or lesser extent. Experiments using typical fires in family living units indicate that detectable quantities of smoke precede detectable levels of heat in most cases. For these reasons, NFPA standard 74 requires smoke detectors to be installed outside of each sleeping area and on each additional story of the family unit.

The following information is for general guidance only and it is recommended that NFPA standard 74 be consulted and that the smoke detector manufacturer's literature be used for detailed installation instructions.

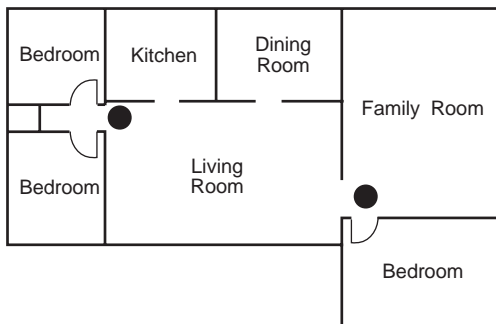
It is recommended that additional smoke detectors beyond those required be installed for increased protection. The added areas include: basement, bedrooms, dining rooms, furnace room, utility room and hallways not protected by the required detectors.



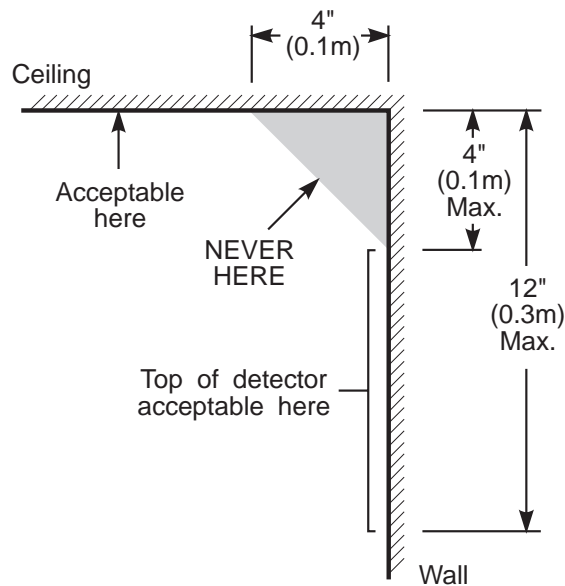
**Figure 3: A smoke detector should be located on each story of the living unit.**



**Figure 1: A smoke detector should be located between the sleeping area and the rest of the family unit.**



**Figure 2: In family living units with more than one sleeping area, a smoke detector should be located to protect each sleeping area.**



NOTE: Measurements shown are to the closest edge of the detector.

**Figure 4: Smoke Detector mounting and "Dead" Air Space. The smoke from a fire generally rises to the ceiling, spreads out across the ceiling surface and begins to bank down from the ceiling. The corner where the ceiling and wall meet is an air space into which the smoke may have difficulty penetrating. In most fires, this "dead" air space measures about 4 in. (0.1m) along the ceiling from the corner and about 4 in. (0.1m) down the wall as shown in Figure 4. Detectors should not be placed in the "dead" air space.**

---

# KEYPAD FUNCTIONS

## Introduction

The PC2550RK Keypad provides complete information and control of the PC2525 control panel. The panel can be fully programmed from the keypad. The 8 Zone Lights provide alarm and status indication for the alarm circuits. Each zone can be programmed to be a burglary zone or a fire zone. The 7 system lights guide the user in operating the system and the built-in sounder lets the user hear correct key entries and other alert signals. The 12-digit keypad is used for code entry and other programming functions. The single button [F]ire, [A]uxiliary and [P]anic keys provide the user with simple operation for emergency signalling. All keypad entries are made by pressing one key at a time.

## Master Code

A default Master Code "1234" is factory programmed into the PC2525. The Master Code is used to arm and disarm the panel, to reset the bells after an alarm, to program up to 7 additional codes using the [\*][5] command, and to enter other user functions using the [\*][6] command. The panel default program allows the user to change the Master Code. The panel can be programmed so that the user cannot change the Master Code; refer to Programming Section [09] Second System Option Code.

## Second Master Code

A second Master Code can be programmed into the PC2525. This code can be changed by the installer only. The default Second Master Code is blank.

## Installer's Programming Code

A default Installer's Programming Code "2525" is programmed into the PC2525. Using the [\*][8][Installer's Code] command, the installer can gain access to the system to enter panel program information. This code can be changed by the installer.

## Arming

Before arming the panel, close all protected doors and windows and stop movement in areas covered by motion detectors. If the "Trouble" light is on, check for the type of trouble ([\*][2] command) and correct the fault condition. If the "Bypass" light is on, insure that the zones bypassed are bypassed intentionally, ([\*][1] command). If the "Ready" light is not on, one or more zones are open. The system can only be armed when the "Ready" light is ON. To arm, enter a 4-digit Access Code. As each digit is entered, the keypad sounder will beep. When the correct Access Code has been entered the "Armed" light will come ON and the keypad will beep 6 times. If the Access Code has been entered incorrectly, the keypad will sound one long tone. Press the [#] key and enter the Access Code again.

When the correct Access Code has been entered and the "Armed" light is ON, exit through the designated entry/exit door before the exit delay time expires. At the end of the allowed exit time, all lights on the keypad will go out except the "Armed" light. The "Bypass" light will be ON if a zone is bypassed and if Show Bypassed Status While Armed is programmed in Section [09], Zone Light 7 ON.

See Installer's Programming Section [\*][8] command for instructions on changing the Exit Delay time.

## Auto-Bypass/Home-away Arming

If a correct Access Code is entered, and you do not exit the premises, the system will, at the end of the exit delay time, arm with interior zones automatically bypassed if those interior zones have been programmed as "Home-away" zones. The "Bypass" light will come ON.

This is a convenience feature for the user who wishes to remain at home with the system armed. The user does not have to manually bypass the interior zones.

To reactivate the interior zones that have been automatically bypassed, press [\*][1]. The "Bypass" light will go out. If the bypassed zones were programmed as Home-away with delay, the "Bypass" light will go out after the delay. This command is a quick method of fully arming the system before going to bed and is useful for the user who has a keypad outside the areas protected by the interior zones.

## Arming Without Entry Delay

To eliminate the Entry Delay, arm the system using [\*][9][Access Code]. An exit may be made as in normal arming. The system will arm as described above in Auto-bypass / Home-away arming whether an exit is made or not. The "Armed" light will flash to indicate that the system is armed without the entry delay.

---

## Disarming

Enter the premises through the designated entry-exit door. The keypad sounder will be on as a reminder to disarm the system. Go to the keypad and enter a valid Access Code. If an error is made entering the code, press the [#] key and enter the code again. The "Armed" light will go out and the sounder will stop. The correct Access Code must be entered before the entry time expires or the panel will go into alarm.

If an alarm occurred while the panel was armed, upon disarming the "Memory" light and the Zone Light(s) of the zone(s) that caused the alarm will flash for 2 minutes. Pressing the [#] key will stop the flashing, turn the Zone Light(s) OFF, and return the panel to the ready mode. The "Memory" light will stay on steady to indicate that an alarm did occur during the last armed period. To view the zone(s) that caused the alarm, see Alarm Memory Display [\*][3].

## Quick-Exit Command

### **[\*][0] when Armed**

Entering [\*][0] when the system is armed will allow the user to exit the premises through any delay zone without altering the status of the system if the Quick-exit feature is enabled. The Quick-exit feature is enabled in Programming Section [08] First System Option Code. For 2 minutes after [\*][0] is entered into an armed system, one and only one delay zone may be tripped. Any additional activity on any other active zone will cause that zone to begin its alarm sequence.

## Quick-Arm Command

### **[\*][0] when Disarmed**

Entering [\*][0] is accepted as a valid arming code if the Quick-Arm feature is enabled. This command is often used when individuals are required to arm the system but not disarm the system. This could be used with home visitors in the case of a residential alarm system or for junior employees and maintenance staff in the case of commercial systems. Refer to [\*][6] User Functions Command section, for enabling and disabling the Quick-Arm feature.

## Zone Bypassing

### **[\*][1]**

A bypassed zone will not cause an alarm. Use zone bypassing when access is needed to part of a protected area or if damage to contacts or wiring cannot be repaired immediately. The panel can be armed with one or more zones bypassed even if the zone(s) are open. The "Ready" light will be ON and the "Bypass" light will be ON if a zone is bypassed. A fire zone cannot be bypassed.

If the "Bypass" light is ON when preparing to arm, use the [\*][1] command to display the bypassed zones and ensure that any zone displayed as being bypassed is intentionally bypassed.

Zone bypasses are automatically cancelled when the panel is disarmed.

### **To Bypass Zones:**

Enter [\*][1]; the "Bypass" light will start flashing.

Enter the [number of the zone to be bypassed]; the Zone Light will come ON to indicate that the zone is bypassed. To remove a bypass, enter the zone number and the Zone Light will go OFF. To remove all bypasses, press the [0] key. Continue entering the zone numbers for the zones you want bypassed. Press [#] to return to Ready.

### **To Recall Bypassed Zones:**

Enter [\*][1][9]. This command will recall the last zone or group of zones that were bypassed. If the same group of zones are bypassed regularly, the bypass recall feature can be used instead of bypassing the zones individually.

### **Bypass Disable:**

The PC2525 can be programmed by the installer to prevent certain zones from being bypassed by the user. Lights for these zones will not come ON in response to the bypass command. Refer to the Zone Bypass Mask instructions in Programming Section [12].

Also, Access Codes may be programmed so that they will be unable to bypass zones. Refer to the Programming Section [13], Bypass Mask for Access Codes 1-8.

### **Access Code Required for Bypass:**

The PC2525 can be programmed to require an Access Code to be entered before zones are bypassed. To enable this option, enter Section [9] and turn Zone Light 3 ON. A user must now enter [\*][1][Access Code] in order to bypass zones.

---

## Trouble Conditions

### [\*]+[2]

The PC2525 continuously monitors a number of trouble conditions. If one of these conditions occurs, the keypad "Trouble" light will come ON and the buzzer will sound 2 short beeps every 10 seconds. To silence the buzzer, press the [#] key. The buzzer will stop but the "Trouble" light will remain ON until the trouble condition is cleared. Refer to Programming Sections [39] and [40] for information on the trouble conditions that can be transmitted to the monitoring station.

To view the trouble condition, press [\*][2].

- 1 Low Battery.** If the battery voltage is low, the battery is disconnected or the battery fuse is blown, a trouble will be displayed and can be reported. Only one low battery trouble and restoral transmission will occur per armed period. The low battery trouble display is "latching", and can only be cleared by correcting the problem with the battery.
- 2 AC Failure.** On loss of AC power, the "Trouble" light will come ON immediately, but the keypad buzzer will not sound. The keypad buzzer will sound if AC power remains off and the battery reaches a low voltage. The delay before transmitting AC Fail can be programmed from 1 to 99 minutes. See Programming Section [42].
- 3 Not Used**
- 4 Telephone Line Trouble** If the system detects trouble on the telephone line, this condition will be indicated
- 5 Failure to Communicate** If the digital communicator is unsuccessful at communicating with the monitoring station after 8 attempts at each phone number that is tried, a trouble is generated. If a later attempt at communication is successful, the trouble is cleared. The trouble can also be cleared by pressing the [#] key to exit from the trouble view mode.
- 6 Bell Circuit Trouble** If the Bell fuse is open or the bell is disconnected, this condition will be indicated.
- 7 Fire Alarm Circuit Trouble** An open circuit on any zone programmed as a fire zone will initiate a trouble.
- 8 Loss of Time on System Clock** When the PC2525 is powered up or reset, the internal time of day clock needs to be reset to the correct time. The trouble is cleared after entering the trouble view mode then pressing [#] to exit. The trouble will also be cleared on any attempt to set the time of day. Refer to [\*][6] User Function Commands for information on setting the clock. Press [#] to return to Ready. **NOTE:** A trouble will not be generated if both the test transmission and Auto-Arm times are not programmed with valid times.  
**NOTE:** If [9] is pressed while in the trouble display mode, the most recent trouble will be displayed on the Zone Lights. This trouble memory is most useful as a diagnostic tool when installing and servicing the PC2525. Press [#] to return to "Ready".

## Alarm Memory

### [\*]+[3]

Alarms caused during the previous armed period are stored in memory. To view these alarms, press [\*] then [3]. The "Memory" light will flash and the alarm(s) will be displayed on the flashing Zone Lights.

In addition to the last alarm memory, there are two history levels. After entering the memory mode, pressing the [9] key to display the two levels of alarm history. Each time a key is pressed, the keypad will beep 1, 2 or 3 times to indicate which level of history is being viewed.

When the panel is armed, and if there is an alarm in the First level, the First level is cleared and the contents moved to the Second level. The Second level contents are moved to the 3rd level and the 3rd level contents are discarded. The "Memory" light will be ON only if there was an alarm during the previous armed period. Press [#] to return to Ready.

## Door Chime ON / OFF Command

### [\*]+[4]

The Door Chime feature is used to sound a tone from the keypad whenever a zone programmed as a Chime type is activated. When the Door Chime feature is turned ON, the keypad will beep several times whenever a Chime zone is activated. To turn the feature on or off, enter [\*][4]. If the feature is being turned on, the keypad will beep several times. If the feature is being turned OFF, the keypad will sound a single long tone.

---

## User Programming Commands

### [\*][5][Master Code]

The [\*][5] programming command allows the user to program Access Codes 2 through 8; the First Access Code is the Master Code. The factory default for the Master Code is "1234". The 8th Access Code may be changed from a regular code to a One-Time Use Code by turning ON Zone Light 1 in Section [09]. The One-Time Use code allows an individual, such as a service person, to disarm and then re-arm the system. After the code is used, it is erased and will no longer work on the system.

**NOTE:** The One-Time Use code is only cleared when it is used to arm the system. If the Quick-Arm command [\*][0] is used to arm, the One-Time Use code will not be erased.

### Programming Access Codes:

Enter [\*][5][Master Code] to enter the Access Code Programming Mode; the "Program" light will begin to flash. The Zone Lights are used to indicate the program status of the 8 Access Codes.

<b>Zone Light</b>	<b>Access Code Status</b>
OFF	Code not programmed
Steady	Code programmed
Flashing	Code being programmed

Upon entering this Programming Mode, the Zone Light 1 will be ON to indicate that the Master Code is programmed with the Factory Default Code. The Master Code may be changed here or in Programming Section [04] if the installer chooses to disable user-changing of the Master Code.

### Changing or Adding a Code

To change Access Codes 1 to 8, press the corresponding key (1 to 8). The corresponding Zone Light will begin to flash. Enter the new 4-digit number. Do not use the [\*] key or [#] key when entering the 4-digit number. After the four digits are entered, the keypad will beep 3 times and the Zone Light will come on steady. If you are changing an existing code, the new code will simply replace the old one. If you wish to program another code, press the number key for the code to be programmed and enter the new 4-digit code. Press the [#] key to exit this section.

### Erasing a Code

To erase a code, enter [\*][5][Master Code]. Press the key of the code you wish to erase. The Zone Light for that code number will flash. Enter [\*\*\*\*].

**NOTE:** The Master Code cannot be erased. If the Master Code is forgotten and the panel is left disarmed, program a new Master Code using the [\*][8][Installer's Code][04] command or use the Second Master Code to reprogram the Master Code. The Second Master Code is programmed using the [\*][8][Installer's Code][05] command or in Programming Section [05].

### EEPROM Reset

If the Master Code is forgotten and the panel is armed, see Programming Section [99] for instructions on resetting the panel to the factory default condition. Resetting the system is not necessary if the Second Master Code is programmed. Refer to Programming Section [05] for information on using the Second Master Code.

## User Function Commands

### [\*][6][Master Code]

This function is used to set the System Clock time and to set the Auto-Arm time as well as toggle a number of system functions. As soon as the command is entered, the "Program" light will begin to flash. Enter [\*][6][Master Code][Number from list below].

- [1] System 24 Hr. Clock (Enter HH:MM)
- [2] Auto-Arm Time (Enter HH:MM)
- [3] Not Used
- [4] Quick-Arm Enable/Disable
- [5] Auto-Arm Enable/Disable
- [6] Not Used
- [7] Not Used
- [8] System Test Function
- [9] User Initiated Call-up
- [0] Installer's Test (This function will turn off automatically on arming.)

Items [4], [5] and [0] turn ON and OFF various features. When the item key is pressed and the feature is being turned ON, the keypad sounder will beep 3 times. If the feature is being turned OFF the sounder will give one long beep. Pressing item [8] gives a 2-second Bell / Siren and Keypad Light and Buzzer test.



---

## Setting the Clock

### **[\*]+[6]+[Master Code]+[1]**

The System Clock is a 24-hour clock. Hours and minutes must be entered as 2-digit numbers.

- HH, hours: 00 to 23 MM, minutes: 00 to 59  
8:05 AM would be entered as 0805; 1:30 PM would be entered as 1330

Setting the system clock tells the system the time of day. If the system is without power, (AC and battery), it cannot continue to keep time. When the panel is powered up, the system clock must be reset. If the time needs to be reset, then a Trouble Condition 8 will be indicated on the keypad (refer to [\*][2] System Trouble Display). Trouble Condition 8 will not be generated if the Auto-Arm and Auto-Test times are not programmed with valid times (9999 in these positions disables these features).

## Set Auto-Arm Time

### **[\*]+[6]+[Master Code]+[2]**

The PC2525 can be programmed to arm at the same time each day. To set the Auto-Arm time, enter [\*][6][Master Code][2] then enter the hours and minutes as described at the beginning of this section.

At the selected Auto-Arm time, the bell will sound one short burst every 10 seconds for a 1-minute period if Section [10] Zone Light 7 is OFF. The keypad will also sound for 1 minute. At the end of the 1-minute warning period, the system will be fully armed. There will be no exit delay after this time.

Auto-Arming may be cancelled by pressing any key on the keypad during the 1-minute warning period. When a key is pressed, the warning will be silenced and Auto-Arming will be cancelled. Auto-Arming will be attempted at the same time the next day. During the 1-minute warning period, keyswitch arming or arming using the Quick-Arm command will cancel the Auto-Arm process and will initiate the exit delay before arming the system.

If Programming Section [9] Zone Light 4 is ON, then an Access Code will be required to cancel Auto-Arming. When an Access Code is entered during the 1-minute warning period, the warning will be silenced and Auto-Arming will be cancelled. Auto-Arming will be attempted at the same time the next day.

## Quick-Arm

### **ON/OFF [\*]+[6]+[Master Code]+[4]**

Pressing [4] while in the User Function Command mode will Enable (3 beeps) or Disable (one long beep) the Quick-Arm feature. With this feature enabled, the panel can be armed by simply entering [\*][0].

## Auto-Arm

### **ON/OFF [\*]+[6]+[Master Code]+[5]**

Pressing [5] while in the User Function Command mode will enable (3 beeps) or disable (one long beep) the Auto-Arm feature. With this feature enabled, the panel will automatically arm at the same time each day. The Auto-Arm time is programmed with the [\*][6][Master Code][2] command.

## System Test

### **[\*]+[6]+[Master Code]+[8]**

Pressing [8] while in the User Function Command mode will sound the bell/siren, the keypad sounder and turn on all the keypad lights for 2 seconds. If a System Test Code is programmed in Section [39], it will be transmitted at the same time.

## User Call-up

### **[\*]+[6]+[Master Code]+[9]**

Enable the User Call-up Function in Programming Section [70], Zone Light 2. When User Call-up is activated, the system will call the downloading computer. The downloading computer must be waiting for the system to call before downloading can be performed.

## Installer's Test

### **ON/OFF [\*]+[6]+[Master Code]+[0]**

Pressing the [0] key while in the User Function Command mode will enable or disable the Installer's Test function. This feature allows final testing of the system. When enabled, the bell/siren will operate for 2 seconds each time a zone is put into alarm or when the [F] key is pressed. The bell/siren will also sound for 2 seconds when the [P] key is pressed and the [P] key is programmed for audible operation. As the [A] key generates a silent alarm, the bell/siren will not sound if this key is pressed.

Each zone should be tripped individually to avoid confusion about which zone originates the alarm. To exit the Installer's Test mode, arm then disarm the panel. **NOTE:** The communicator will transmit all alarms and restorals. Disable the communicator if this is not desired (Section [46], Zone Light 1).

---

## Utility Output Command

### **[\*][7] or [\*][7]+[Access Code]**

The Programmable Output (PGM terminal) can be programmed for activation by a keypad command. This output can be used to operate other devices such as door openers, special lighting, door strikes or to reset smoke detectors. Refer to Programming Section [09] Light 5. Depending on the option selected, the [\*][7] command may require that an Access Code be entered to activate the Utility Output.

When the correct command is entered, the keypad sounder and the PGM output will operate for 5 seconds.

## Installer's Programming Command

### **[\*][8]+[Installer's Code]**

The PC2525 is completely programmed from the keypad by using commands in the [\*][8] section. These commands are described in detail in the programming section of this manual. The default Installer's Code is [2525].

## At-Home Arming

### **[\*][9]+[Access Code]**

Entering [\*][9] before the arming code will arm the panel without the entry delay on delay zones. Also "Home-away" zones are automatically bypassed. When armed using the [\*][9] command, the "Armed" light will flash to remind the user that the system is armed without the entry delay. This command allows the user to remain at home and have an instant alarm on the entry doors.

## *Keypad Zones [F], [A], [P]*

There are three zones which can be activated with single key entries on the keypad. For the [F], [A] and [P] keys to be functional for transmission, they must be enabled by the installer by entering the Alarm and Restoral Codes in Programming Section [38].

**[F]ire Key** Pressing the [F] key and holding it for 2 seconds will initiate a local pulsing alarm and, if programmed, will transmit the alarm to the monitoring station. A Fire alarm may also be generated by pressing the [1] and [3] keys together and holding them down for 2 seconds. The keypad will sound a series of short beeps once the panel has accepted the alarm. The [F] key may be disabled in Programming Section [10].

**[A]uxiliary Key** Pressing the [A] key and holding it for 2 seconds will, if programmed, transmit an Auxiliary alarm to the monitoring station. An Auxiliary alarm may also be generated by pressing the [4] and [6] keys together and holding them down for 2 seconds. There is no local alarm and no keypad lights will come ON when this key function is activated. The keypad will sound a series of short beeps upon successful completion of the transmission to the monitoring station.

**[P]anic Key** Pressing the [P] key and holding it for 2 seconds will, if programmed, send a transmission to the monitoring station. A Panic alarm may also be generated by pressing the [\*] and [#] keys together and holding them down for 2 seconds. The alarm signal can be programmed to be audible or silent; see Programming Section [10] Third System Option Code. If programmed as audible, the local bell / siren will sound steadily.

Keypad audible annunciation for the [P] key is programmable in Programming Section [10] for audible (3 beeps) or silent (no buzzer feedback). If programmed for audible, the buzzer will sound once the key input is accepted.

# PROGRAMMING

## Introduction

The PC2525 is fully keypad-programmable, and also supports downloading programming functions. The system's EEPROM memory can be reprogrammed thousands of times and will not lose program data even after total loss of power. This section of the manual describes how to program the PC2525 using the system's keypad.

## Programming

With the system disarmed, enter [\*][8][Installer's Code]; note that the system can only be programmed while it is disarmed. The default Installer's Code is 2525; the Installer's Code should always be changed once programming is complete. Be sure to record the new Installer's Code for future reference! If the Installer's Code is forgotten, the system's factory programming may be restored; refer to Programming Section [99] Factory Default.

When the Installer's Programming Command is entered, the "Armed" light will come ON and the "Program" light will FLASH to indicate that the system is ready for programming. If no keys are pressed for 2 minutes, the system will return to the "Ready" mode. To re-enter the programming mode, enter the [\*][8] Installer's Programming Command again.

With the "Armed" light ON, enter 2 digits for the Section to be programmed. Note that Section [00] is reserved for binary programming and is normally only entered on instruction from factory technical personnel. When the section to be programmed is entered, the "Armed" light will go OFF, the "Ready" light will come ON, and the keypad will beep 3 times. The system is now ready to accept program data.

For sections containing 2- and 3-digit numbers, Zone Lights 1 through 4 will indicate, in binary format, the value of the first digit in the section. Refer to "Binary Data Display" for instructions on reading the binary display.

To change the first digit, enter the new digit from the keypad. To leave the first digit unchanged, enter the same number or skip the digit by pressing the [F] key. Once the first digit has been entered or skipped, Zone Lights 1 through 4 will display the value of the second digit. When all digits in a number have been programmed, the keypad will beep twice and display the value of the first digit in the next number.

When all required data for a section is entered, the keypad will beep several times and the "Armed" light will come ON. Enter the number of the next Section to be programmed.

It is not necessary to program all 2- or 3-digit numbers in any given section. A section can be entered and programmed by going only to the digit or digits to be changed and then pressing [#] to return to the Programming Mode. For 2-digit and 3-digit numbers, all digits must be programmed before pressing the [#] key. Only the data entered before pressing the [#] key will be changed in the system's memory.

## Reviewing Programmed Data

- Enter the section to be programmed by entering the 2-digit section number.
- Zone Lights 1 through 4 will represent the value, in binary format, of the first digit in the section.
- Press the [F] key to advance the display to the next digit.
- At the end of the section, the keypad will beep several times and then return to the Program Mode so that another section can be selected for review or programming.

## Sections [08] through [13] , [46] and [70]

These sections allow system options to be selected. Refer to the Programming Worksheets for information on which options are represented by the Zone Lights in each section.

These sections are programmed by turning the Zone Lights ON and OFF. To turn a light ON or OFF, press a number from 1 to 8. All lights in a section may be turned OFF at once by pressing [0]. When all programming selections have been made, press [#] to save the changes and return to the program mode.

Please See Hex Data Entry Instructions Below

## Binary Data Display

Zone Lights 1 through 4 are used to display the value, in binary format, of the data at each digit as shown in the table shown here.

Value	0	1	2	3	4	5	6	7	8	9	A	B	C	D	E	F
Zone 1	☐	■	☐	■	☐	■	☐	■	☐	■	☐	■	☐	■	☐	■
Zone 2	☐	☐	■	■	☐	☐	■	■	☐	☐	■	■	☐	☐	■	■
Zone 3	☐	☐	☐	☐	■	■	■	■	☐	☐	☐	☐	■	■	■	■
Zone 4	☐	☐	☐	☐	☐	☐	☐	☐	■	■	■	■	■	■	■	■

☐ Zone Light OFF  
■ Zone Light ON

## HEX Data Programming

Certain Programming Sections may require the entry of data in HEX (hexadecimal, or base 16) format. HEX numbering uses the numbers 0 through 9 and the letters A through F.

The letters A through F are represented by the number keys 1 through 6. To enter data in HEX format, first press the [\*] key; the "Ready" light will flash. Enter the HEX value, then press the [\*] key again to return to the normal entry mode; the "Ready" light will stop flashing.

To enter HEX numbers: A Enter [\*][1][\*] D Enter [\*][4][\*]  
B Enter [\*][2][\*] E Enter [\*][5][\*]  
C Enter [\*][3][\*] F Enter [\*][6][\*]

Enter [\*] before and after each digit. Note that the last digit in each section does not require the final asterisk ([\*]) to be entered.

---

# SYSTEM PROGRAMMING SECTIONS

## [00] Binary Programming

This section is normally used upon instruction from factory technical personnel for specialized programming not covered by the standard programming instructions.

## [01] Zone Definitions

Program eight 2-digit numbers in this section. The first digit determines the audible characteristics of the zone, while the second digit determines the zone's operation.

### First Digit: Audible Characteristics

- 0 Audible:** When programmed as Audible, the bell output will be activated when the zone goes into alarm
- 1 Silent:** When programmed as Silent, the bell output will **not** be activated when the zone goes into alarm
- 2 Chime/Audible:** When programmed as Chime/Audible, the keypad will sound a series of tones each time the zone is opened or closed while the system is disarmed. When the system is armed, the bell output will be activated when the zone goes into alarm.
- 3 Chime/Silent:** When programmed as Chime/Silent, the keypad will sound a series of tones each time the zone is opened or closed while the system is disarmed. When the system is armed, the bell output will **not** be activated when the zone goes into alarm.

### Second Digit: Zone Operation

- 0 Delay:** has an entry and exit delay and is normally used for entry/exit doors. The exit delay starts as soon as the panel is armed. The zone may be opened and closed during the delay time without causing an alarm. After the exit delay time has expired, opening the zone will start the entry delay timer. During the entry delay time, the keypad buzzer will sound steadily to advise the user that the system should be disarmed. If the panel is disarmed before the entry time expires, no alarm will be generated.  
  
The default times for this type of zone are a 30 second entry delay and a 120 second exit delay. The entry and exit delays may be independently programmed in Section [02] for periods from 1 second to 255 seconds. All zones programmed as type [0] will have the entry and exit delays as programmed in Section [02] or the default times if Section [02] is not programmed.
- 1 Instant:** is normally used for door and window contacts and has the standard exit delay but is instant when opened after the exit delay expires. The exit delay will be the default time of 120 seconds or the time as established in programming Section [02].
- 2 Interior:** Interior zones are used with interior motion detectors. Interior zones feature both an exit delay and an entry delay provided that a Delay zone has been tripped first. If the protected area is entered without coming through the normal Delay entrance and an Interior zone is tripped, an immediate alarm will be generated.
- 3 Interior Home-Away:** If the system is armed and the Delay Zone is NOT tripped during the exit delay time, the type [3] zone will be bypassed.
- 4 24 Hour Bell:** is active at all times and will create an alarm if the panel is armed or disarmed. This zone will always activate the bell output.
- 5 24 Hour Bell/Buzzer:** operates as the type [4] except the bell output is activated only when the panel is armed, and only the keypad buzzer is activated while the panel is disarmed.
- 6 24 Hour Buzzer:** operates as the type [5] except only the buzzer will be activated in the armed or disarmed mode.
- 7 Auxiliary Delay:** operates the same as the type [0] zone except the entry/exit times can be independently set in Section [02]. This zone type is useful when a zone with an entry and/or exit time is required that is different from the standard times as established for type [0] zones in Section [02]. If Section [08], Zone Light 3 is ON it will enable the system to be armed even if the auxiliary delay zone is open ("Ready" light ON). Also, the system can be armed with the auxiliary delay zone closed and then it can be opened before the auxiliary exit delay has expired. In both cases the auxiliary delay zone will not become active until both the auxiliary exit delay has expired and the zone is closed.
- 8 Delayed Fire:** Any number of the 8 zones may be programmed as a fire zone. A fire zone is a supervised (normally-open alarm initiating contacts), end-of-line resistor circuit designed to accept latching 4-wire smoke detectors. See the fire circuit installation drawing.

On alarm, fire zone shorted, the bell / siren will pulse to indicate that a fire zone has been activated.

Transmission by the digital communicator is delayed 30 seconds. If the alarm is acknowledged before the 30 second delay has expired, pressing the [#] key will silence the alarm and abort the transmission. If the alarm is NOT acknowledged within the 30 second period, transmission of the Alarm Code programmed in Section [34] will proceed and cannot be aborted. If the alarm has been silenced and all smoke detectors are not restored to normal, the alarm will re-sound after 90 seconds; 30 seconds after that, the communicator will transmit. If the alarm re-sounds, it may again be silenced by pressing the [#] key and the communicator transmission will be aborted if the alarm is silenced within the 30 second transmission delay period.

---

To restore the smoke detectors to normal, clear all products of combustion from the detectors and perform a reset by pressing the [\*] then [7] keys. See Section [06] for programming the PGM terminal for smoke detector reset. Pressing [\*][7] will remove power from the smoke detectors for 5 seconds; if the detectors are clear of smoke, they will return to normal. If the detectors still have smoke in them, the alarm will re-sound and the sequence described above will repeat.

For an open on any zone programmed for fire, the "Trouble" light will come ON and the keypad sounder will beep every 10 seconds. The keypad trouble buzzer will sound and the "Trouble" light will come ON regardless of whether the panel is armed or disarmed. The communicator will transmit the trouble condition if programmed in Section [39]. The audible trouble indication may be silenced by pressing the [#] key. The "Trouble" light will only go OFF when all the fire zone troubles are cleared. To determine the type of trouble, press [\*][2].

- 9 Keyswitch Arm:** A keyswitch module may be connected to the zone programmed as Keyswitch Arm; momentary activation of this zone will alternatively arm and disarm the system and silence alarms. Note that the keypad will not display an indication when this type of zone is activated.
- A Home Away with Delay:** This zone operates similarly to the Type [3] zone with the following exception. If the zones are not bypassed manually (with the [\*][1] command), or automatically (not opening a delay zone during the exit delay), and the Type A zone is tripped, a standard entry delay will be initiated. The Type A Zone allows the user time to disarm the system from within the premises before alarms are initiated by activating zones. Upon entering [\*][1] to activate Home-away zones, the Type A zone will have a standard exit delay.
- B Forced Answer:** Activating this zone will force the system to pick-up the telephone line and await communications from a downloading computer. This feature is used for on-site downloading. Note that the keypad will not display an indication when this type of zone is activated.

## [02] System Times

Six system times are programmed in this section; each entry requires a 3-digit number. Do not press the [#] key during data entry.

- 1 Entry Delay Time** (001 to 255 seconds) This value determines the standard entry delay time. The factory default entry time is 30 seconds.
- 2 Exit Delay Time** (001 to 255 seconds) This value determines the standard exit delay time. The factory default exit time is 120 seconds.
- 3 Auxiliary Entry Delay** (001 to 255 seconds) This value determines the Auxiliary Entry Delay time applied to zones defined as Auxiliary Delay zones. The default auxiliary entry delay is 45 seconds.
- 4 Auxiliary Exit Delay** (001 to 255 seconds) This value determines the Auxiliary Exit Delay time applied to zones defined as Auxiliary Delay zones. The default auxiliary exit delay is 180 seconds.
- 5 Bell Cut-off Time** (001 to 255 minutes) This entry determines the time the bell / siren will sound before automatically turning off. The default bell cut-off time is 4 minutes.
- 6 Zone Response Time** (010 to 255 × 10ms) This value determines the zone response time in milliseconds (ms). The response time is programmed in increments of 10 milliseconds, from a minimum of 0.1 seconds (100 milliseconds) to a maximum of 2.55 seconds (2550 milliseconds). The default zone response time is 500ms.

**NOTE: Auxiliary Delay times must be longer than standard delay times.**

## [03] Installer's Code

Program a 4-digit code in this Section. Only use digits 0 through 9 as numbers in the code; do not press the [\*] or [#] keys. If an error is made entering the code, complete entry of the 4 digits then enter the section number again to enter the correct code. Do not press [\*] or [#] while entering the code.

## [04] Master Code

Program a 4-digit code in this Section.

## [05] Second Master Code

Program a 4-digit code in this Section. The Second Master Code can be changed by the installer only and is useful where there are multiple control panels installed in a complex. The Second Master Code may be used as a "master key" for several systems. The Second Master Code may also be used to reprogram the First Master Code should the First Master Code be forgotten. Usually, the Second Master Code is not provided to the user. The default setting for the Second Master Code is [AAAA].

---

## [06] Programmable Output Options

The PGM terminal can be programmed to operate in response to various system operations. The output pulse connects the PGM terminal to the negative power rail. The switching transistor used for this purpose can sink up to 55 mA.

### [00] 2-Wire Smoke Detectors

When programmed as [00], the PGM output will be programmed for use with 2-wire smoke detectors. Refer to the Hook-Up Diagram for instructions on connecting 2-wire smoke detectors (page 32). The 2-wire smoke detector circuit will function in the same manner as a Type 8 Delayed Fire zone; refer to Section [01] for more information.

### [01] Utility Output, no Access Code

When activated with the [\*][7] command, the PGM output will go low for 5 seconds and the keypad buzzer will sound.

### [02] 5-Second Reset Pulse

When this option is selected, the PGM output is normally low. That is, it is just the reverse of all other options which are normally high and go low when activated. This option is normally used as the negative return for power to 4-wire smoke detectors (positive comes from the AUX + terminal). To activate this output (to reset smoke detectors), enter the [\*][7] command. The PGM terminal will go high (open circuit), and thus remove power from the devices connected. The keypad buzzer will sound for the 5-second period. Refer to the Hook-up Diagram at the back of this manual for instructions on connecting smoke detectors.

### [03] Strobe Output (Latched Alarm)

The PGM switches to ground on an alarm and remains low until the panel is disarmed. It can be used to indicate that an alarm has occurred before entering the premises.

### [04] System Status (Armed / Disarmed)

The PGM output switches to and remains at ground as long as the panel is armed. The output goes high (open) while the panel is disarmed.

### [05] Keypad Buzzer Follow Mode

The PGM output will go low when the keypad buzzer is activated by the "24 Hour Buzzer Zone", "Door Chime", "Entry Delay" and "Auto-Arm Alert" functions. The PGM output will go low for as long as the keypad buzzer is active. The PGM output will also be activated for the duration of the Exit Delay if an Audible Exit Delay is selected in Section [11] Zone Light 5.

### [06] Courtesy Pulse (Follow Entry and Exit Delays)

This option provides an output which follows the entry and exit times. It can be used to turn on a courtesy light near the exit door for the duration of the entry / exit times.

### [07] Entry Delay Follow Mode

This option provides an output which follows the Entry Delay only.

### [08] Exit Delay Follow Mode

This option provides an output which follows the Exit Delay only.

### [09] Not Used

### [10] Ground Start Pulse

This option provides a 2-second pulse before dialing begins to obtain a dial tone on Ground Start telephone equipment

### [11] TLM and Alarm

The PGM output switches to ground if the system detects a TLM fault when there is an alarm condition. The output follows the time programmed for the Bell Timeout.

### [12] Second Line Slave

The PGM output switches to ground after there have been four unsuccessful communication attempts. The output will remain switched until the system has hung up the telephone line. This feature may be used to activate an additional communicator for back-up communications.

### [13] Failure to Communicate

The PGM output switches to ground if the system fails to communicate after 8 attempts to each phone number that will be tried according to the communicator call direction options. The output remains low until a successful communication takes place or until Trouble Condition 5 is cleared from the keypad. This option can be used to tie two systems together so that if one fails to communicate, the other system will report the failure.

### [14] Kissoff Output

The PGM output switches to ground after the kissoff signal has been received to complete a successful communication to the central station. The output will switch to ground for 2 seconds.

### [15] Remote Operation

This option allows the PGM output to be activated on command through the DLS-1 downloading software package. DLS-1 v5.3 or later software supports this option.

---

## [07] Keypad Lockout Options

This section determines how the Keypad Lockout function operates. The first number determines how many invalid Access Codes need to be entered to lockout the keypad; enter a 2-digit number from 00 to 99.

The second number determines how long, in minutes, the keypad will be locked out. Enter a 2-digit number from 00 to 99. Programming either of the numbers in the section as 00 will disable the keypad lockout feature.

## [08] First System Option Code

The First System Option Code is set using the Zone Lights as shown in the table below. Once Section [08] is entered, the 8 Zone Lights will indicate the status of each option. Press the number key corresponding to the Zone Light to turn an option ON and OFF. Press [0] to turn all the Zone Lights OFF.

### **Zone Light 1: Zone Loop Options**

- ON:** Normally Closed Zones. All zones are wired as normally closed circuits with return to a COM terminal. An alarm will be generated when the circuit is opened.
- **OFF:** End-of-Line Resistor Zones. All zones must be wired with an end-of-line resistor connected between the ZONE and COM terminals. An alarm will be generated when the circuit is opened or shorted. If the zone is programmed as a Fire Zone, an open circuit will be reported as a Fire Trouble, and a short circuit will be reported as a Fire Alarm.

### **Zone Light 2: Zone Power-up Options**

- **ON:** 120-second Bypass on Power-up. When power is first applied to the system, all zones will be bypassed for two minutes. This is to allow time for the detection devices to “settle” without causing false alarms. After 2 minutes, the zones will be active.
- OFF:** Zones Active on Power-up. All zones will be active when power is applied to the system.

### **Zone Light 3: Auxiliary Delay Zones Force Arming Option**

- ON:** Force Arming on Auxiliary Delay Zones. The system may be armed with Auxiliary Delay Zones being left open. When the system is armed, the Auxiliary Delay Zones will be bypassed. When the zones are secured, they will be added to the system and will be armed. Once armed, activity on an Auxiliary Delay Zone will initiate the Auxiliary Entry Delay.
- **OFF:** No Force Arming. If an Auxiliary Delay Zone is left open when the system is armed, the Auxiliary Entry Delay will begin as soon as the Exit Delay expires. If the system is not disarmed before the Auxiliary Entry Delay expires, an alarm will be generated.

### **Zone Light 4: Partial Closing Reporting Option**

- ON:** Partial Close on Auto-Arm. When the system is Auto-armed with open zones, the system will transmit the Partial Closing Code and the User Closing Code.
- **OFF:** No Partial Close on Auto-Arm. When the system is Auto-armed with open zones, the system will only transmit the User Closing Code.

### **Zone Light 5: Quick-Exit Enable / Disable**

- ON:** Quick-Exit Enabled. With the system armed in the Home-Away mode, users may enter the [\*][0] Command to allow a single Delay Zone to be activated so they may leave the premises. Only one Delay Zone may be activated; any additional activity on another Delay Zone will generate an alarm. If the Delay zone is still open two minutes after the [\*][0] command is entered, the Entry Delay will be initiated.
- **OFF:** Quick-Exit Disabled.

### **Zone Light 6: PC16OUT Options**

- ON:** PC16OUT Module Enabled. A PC16OUT module may be connected to the control panel; refer to the PC16OUT Installation Sheet.
- **OFF:** PC16OUT Module Disabled. The system will not support the use of a PC16OUT Module.

### **Zone Light 7: AC Trouble Options**

- ON:** AC Excluded from Trouble. If AC power fails, the condition will be reported to the monitoring station but will not be indicated on the system keypads.
- **OFF:** AC Trouble Reported and Displayed. If AC power fails, the condition will be reported to the monitoring station and will be indicated as a Trouble condition on the system keypads.

### **Zone Light 8: For Future Use**

- **OFF:** Zone Light 8 is not used and is reserved for future use. **Zone Light 8 must be OFF at all times.**
- **Factory default setting**

---

## [09] Second System Option Code

### **Zone Light 1: One Time Use Code Option**

- ON:** One Time Use Code Enabled. Access Code 8 may be used to disarm and then later arm the system only once. After the One Time Use Code is used to arm the system, it will be deleted and will not be able to arm or disarm the system.
- **OFF:** One Time Use Code Disabled. Access Code 8 functions as a normal Access Code.

### **Zone Light 2: Master Code Options**

- ON:** Master Code Not User-Changeable. The Master Code may not be changed by the user, and may only be programmed in the Installer's Programming Mode.
- **OFF:** Master Code User-Changeable. The Master Code may be programmed by the user using the [\*][5][Master Code] command. The Master Code may also be programmed in the Installer's Programming Mode.

### **Zone Light 3: Bypass and Access Code Options**

- ON:** Access Code Required to Bypass Zones. After entering the [\*][1] Bypass Zones Command, an Access Code must be entered before zones may be bypassed.
- **OFF:** Access Code Not Required to Bypass Zones. Enter the [\*][1] Bypass Zones Command to bypass zones.

### **Zone Light 4: Auto-Arm Cancellation Options**

- **ON:** Access Code Required to Cancel Auto-Arming. An Access Code must be entered to cancel the Auto-Arm sequence during the 1-minute Auto-Arm Warning time.
- OFF:** Access Code not Required to Cancel Auto-Arming. Pressing any key during the 1-minute Auto-Arm Warning time will cancel the Auto-Arming sequence.

### **Zone Light 5: Utility Output and Access Code Options**

- ON:** Access Code Required to Activate Utility Output. After entering the [\*][7] Utility Output Command, an Access Code must be entered before the Utility Output will be activated.
- **OFF:** Access Code Not Required to Activate Utility Output. Enter the [\*][7] Utility Output Command to activate the Utility Output.

### **Zone Light 6: Alarm Display Options**

- **ON:** Alarms Displayed while Armed. Alarm conditions will be displayed on system keypads whether the system is in the armed or disarmed state.
- OFF:** Alarms Displayed While Disarmed Only. Alarm conditions will be displayed only when the system is in the disarmed state.

### **Zone Light 7: Bypass Status Display Options**

- ON:** Show Bypass Status While Armed. The "Bypass" light will be ON while the system is armed to indicate that there are bypassed zones on the system.
- **OFF:** Show Bypass Status While Disarmed Only. The "Bypass" light will be ON only while the system is disarmed to indicate that there are bypassed zones on the system. When the system is armed, the "Bypass" light will be shut OFF.

### **Zone Light 8: Bypassed Zone Display Options**

- ON:** Show Bypassed Zones Always. The Zone Lights will be ON while the system is armed or disarmed to indicate that there are bypassed zones.
- **OFF:** Show Bypassed Zones While Disarmed Only. The Zone Lights will only come ON while the system is disarmed to indicate that there are bypassed zones. When the system is armed, the Zone Lights will be shut OFF.
- NOTE:** If Alarms Displayed While Armed is enabled, bypassed zones will not be displayed while the system is armed.

- **Factory default setting**

**NOTE:** If both Light 6 "Alarms Displayed While Armed" and Light 8 "Show Bypassed Zones Always" are enabled, only alarms will be displayed while the system is armed.



---

## [10] Third System Option Code

### **Zone Light 1: 2-minute Keypad Time-out Enabled / Disabled**

- **ON:** 2-minute Keypad Time-out Enabled. If no keys are pressed for 2 minutes, all keypad lights will be shut OFF. **NOTE:** The 2-minute Keypad Timeout must **not** be selected if the LCD600 Keypad or the Escort Voice Assisted Security Control Module is used with the PC2525.
- **OFF:** No Keypad Time-out. The keypad lights will remain ON at all times.

### **Zone Light 2: [F] Key Enabled / Disabled**

- **ON:** [F] Key Disabled. The [F] Key will not sound an alarm when pressed.
- **OFF:** [F] Key Enabled. Pressing and holding the [F] Key for 2 seconds will generate a Fire alarm; the bell or siren will sound with a pulsing tone, and an alarm reporting code (if programmed) will be transmitted.

### **Zone Light 3: [P] Key Keypad Sounder Options**

- **ON:** [P] Key: Keypad Buzzer Silent. When a [P] Key alarm is generated, the keypad sounder will not beep to acknowledge the alarm.
- **OFF:** [P] Key: Keypad Buzzer Audible. When a [P] Key alarm is generated, the keypad sounder will beep 3 times to acknowledge the alarm.

### **Zone Light 4: [P] Key Bell Options**

- **ON:** [P] Key Audible Alarm. The BELL output will be activated when the [P] Key is pressed and held for 2 seconds.
- **OFF:** [P] Key Silent Alarm. The BELL output will not be activated when a [P] Key Alarm is generated.

### **Zone Light 5: Bell Shutdown Enabled / Disabled**

- **ON:** Bell Shutdown Enabled. The BELL output will not be activated for zones that have exceeded the limit of alarms set in the Swinger Shutdown counter.
- **OFF:** Bell Shutdown Disabled. The BELL output will be activated for all alarms on all zones, even after the Swinger Shutdown counter has been exceeded. The BELL output will continue to be activated for all alarms, even though the alarms will not be reported once the Swinger Shutdown counter has been exceeded.

### **Zone Light 6: Bell Squawk Options**

- **ON:** Bell Squawk Enabled. The bell or siren will sound a single squawk when the system is being armed, and a double squawk when the system is being disarmed.
- **OFF:** Bell Squawk Disabled. The bell or siren will not squawk when the system is armed or disarmed.

**Note: For UL-listed systems, Bell Squawk must be enabled**

### **Zone Light 7: Bell During Auto-Arm Options**

- **ON:** No Bell During Auto-Arm. The bell or siren will not be activated during the 1-minute Auto-Arm warning time.
- **OFF:** Bell During Auto-Arm. The bell or siren will sound a single squawk every 10 seconds during the 1-minute Auto-Arm warning time.

### **Zone Light 8: Exit Delay Termination Enabled / Disabled**

- **ON:** Exit Delay Termination Enabled. The Exit Delay will be terminated once the Delay Zone for the entry/exit door or area is restored. All audible options associated with the Exit Delay will be silenced when the Exit Delay is terminated.
- **OFF:** Exit Delay Termination Disabled. The Exit Delay timer will continue to count even after the Delay Zone for the entry/exit door or area is restored. All audible options associated with the Exit Delay will function until the time programmed for the Exit Delay has elapsed.

- **Factory default setting**

---

## [11] Fourth System Option Code

### **Zone Light 1: Bell Pulse Options**

**ON:** Bell Pulses for All Alarms. The bell or siren will pulse for all types of audible alarms.

- **OFF:** Bell Pulses for Fire Alarm Only. The bell or siren will pulse for Fire and [F] Key alarms. For all other audible alarms, the bell or siren will sound a steady alarm.

### **Zone Light 2: Bell Squawk on Exit Delay Options**

**ON:** Bell Squawk on Exit Delay. The Bell output will pulse during the Exit Delay Time.

- **OFF:** No Bell Squawk on Exit Delay.

### **Zone Light 3: Bell Squawk on Entry Delay Options**

**ON:** Bell Squawk on Entry Delay. The Bell output will pulse during the Entry Delay Time.

- **OFF:** No Bell Squawk on Entry Delay.

### **Zone Light 4: Audible Exit Fault Enabled / Disabled**

- **ON:** Audible Exit Fault Enabled. If a Delay Zone is left open at the end of the Exit Delay, the Entry Delay will begin immediately and the bell or siren will sound a steady alarm. This feature is designed to immediately alert the user that their system has been armed incorrectly.

**OFF:** Audible Exit Fault Disabled. If a Delay Zone is left open at the end of the Exit Delay, the Entry Delay will begin immediately. If the system is not disarmed before the end of the Entry Delay, an alarm will be generated.

### **Zone Light 5: Exit Delay Urgency Tone Option**

- **ON:** Audible Exit Delay with Urgency. The Keypad will sound a pulsing tone during the Exit Delay. During the last 10 seconds of the Exit Delay, the keypad will sound a faster pulsing tone to warn that the Exit Delay is about to expire.

**OFF:** Standard Exit Delay. The Keypad will not sound during the Exit Delay time.

### **Zone Light 6: Entry Delay Urgency Tone Option**

- **ON:** Urgency Applied to Entry Delay. The Keypad will sound a steady tone during the Entry Delay. During the last 10 seconds of the Entry Delay, the keypad will sound a pulsing tone to warn that the Entry Delay is about to expire.

**OFF:** Standard Entry Delay. The Keypad will sound a steady tone throughout the Entry Delay time.

### **Zone Light 7: Telephone Line Monitor Disabled / Enabled**

**ON:** Telephone Line Monitor Disabled. The TLM function will be shut off and telephone line troubles will not be indicated by the system.

- **OFF:** Telephone Line Monitor Enabled. The TLM function will be active and the system will report telephone line troubles by indicating Trouble Condition 4 when using the [\*][2] View Trouble Conditions Command.

### **Zone Light 8: Telephone Line Monitor Trouble Options**

**ON:** TLM Generates Trouble Condition. A Telephone Line Monitor Trouble will generate a trouble indication; the "Trouble" light will come ON and the keypad sounder will beep until the [\*][2] View Trouble Conditions Command is entered.

- **OFF:** TLM Generates Alarm When Armed. When the system is disarmed, a Telephone Line Monitor Trouble will generate a trouble indication as described above. If the system is armed, a Telephone Line Monitor trouble will generate an audible alarm on the bell or siren.

- **Factory default setting**

## [12] Bypass Mask for Zones 1 - 8

This Section determines which zones may be bypassed using the [\*][1] Bypass Zones Command. If the Zone Light is ON, the zone can be bypassed; if the Zone Light is OFF, the zone cannot be bypassed. Note that fire zones cannot be bypassed.

## [13] Bypass Mask for Access Codes 1 - 8

This Section determines which Access Codes may be used to bypass zones using the [\*][1] Bypass Zones Command. If the Zone Light is ON, the Access Code may be used to bypass zones; if the Zone Light is OFF, the Access Code cannot be used to bypass zones.

---

# COMMUNICATIONS PROGRAMMING SECTIONS

## [30] First Telephone Number

This is the first telephone number the Communicator will dial. After entering Section [30], enter the telephone number the same way you would dial it on a touch-tone phone. Press [#] after the last digit to complete the telephone number programming.

Hexadecimal digits may be programmed in the telephone number to dial "\*" and "#", and to insert pauses or extra dial tone searches:

Enter [\*2\*] - HEX B - to dial "\*"

Enter [\*3\*] - HEX C - to insert a 4-second pause in the telephone number

Enter [\*4\*] - HEX D - for an additional dial tone search, as is required for PBX telephone systems

Enter [\*5\*] - HEX E - to dial "#"

The total number of digits, including dial tone searches and pauses, must not exceed 17. Remember to press [#] to complete entry of the telephone number.

## [31] First Account Code

The First Account Code is always transmitted to the First telephone number to identify the customer. Enter a 4-digit number. If the HEX digits 'A' to 'F' are required, remember to enter [\*] before and after the number.

Where a zero is required in the account code, enter HEX 'A' (\*, 1, \*) to transmit 10 pulses which will be interpreted as a zero by the monitoring station receiver.

If a 3-digit code is required, as in 3/1 formats, enter [0] as the LAST digit. The [0] represents a null digit where no pulses are transmitted.

## [32] Second Telephone Number

This is the second telephone number to which the communicator will dial. Refer to Section [30] for programming instructions.

## [33] Second Account Code

The second account code is always transmitted to the Second telephone number. Refer to Section [31] for programming instructions.

## [34] Alarm Reporting Codes, Zones 1 - 8

Enter 8 2-digit numbers for the Alarm Reporting Codes for zones 1 to 8. These codes are used by the communicator to report alarms on zones 1 to 8.

Listed below are several programming examples and the resulting transmission using different formats for the reporting codes. Obtaining different formats requires entering data in the Account Code Section [31] or [33], the Reporting Code Sections [34] to [37], and the Communicator Format Section [44].

### **3/1 FORMAT - Non-extended reporting**

Requires:

- 3-digit account code in sections [31] or [33]. For example, enter 1230 for account code 123
- Format Code [00], [01], [02], [03], [04] depending on receiver type in Section [44].
- Single line digit Alarm Reporting Code Section [34]. For example, enter [30] for single digit code 3 (0 = no pulses)

TRANSMISSION SENT:123 3

### **4/2 FORMAT - Non-extended reporting**

Requires:

- 4-digit account code in sections [31] or [33]. For example, enter 1234 for account code 1234
- Format Code [00], [01], [02], [03], [04] depending on receiver type in Section [44].
- 2-digit Alarm Reporting Code in Section [34]. For example, enter [31] for 2-digit code 31

TRANSMISSION SENT:1234 31

### **3/1 FORMAT - Extended reporting**

Requires:

- 3-digit Account Code in Section [31] or [33]. For example, enter 1230 for code 123
- Format Code [06], [07], [08], [09], [10] depending on receiver type in Section [44]
- 2-digit Alarm Reporting Code in Section [34]. For example, enter [31] for 2-digit code 31

TRANSMISSION SENT: First Round 123 3

Second Round 333 1

If a transmission is not wanted for a particular reporting code, then enter '00' or 'FF' to disable that reporting code.

---

### **[35] Restoral Reporting Codes, Zones 1 - 8**

These reporting codes are used by the communicator to transmit zone restorals for zones 1 through 8. Program 8 2-digit numbers in this section.

### **[36] Closing (Arming) Reporting Codes for Access Codes 1 - 8**

Reporting codes 1 to 8 are used to identify closings for Access Codes 1 to 8. If partial closing is identified in Section [46], then alarm codes for manually bypassed zones will be transmitted with the partial closing code when the system is closed with one or more zones bypassed.

When transmitting in 4/2, 3/1 or any other of the extended formats, refer to Section [34] for transmission information. The 8 closing codes are programmed as follows:

[C1], [C2], [C3], [C4], [C5], [C6], [C7], [C8]

Where the first digit HEX 'C' represents a closing signal and the second digit represents the user Access Code which was used to arm the system (HEX 'C' could be any other number depending on what is used at the monitoring station).

The closing code transmission takes place after the exit delay time. Therefore, if the system is armed and disarmed before the expiry of the exit time, no closing transmission will take place.

The partial closing code, if used, is transmitted in tandem with the regular closing code to identify the closing as a partial closing. When the system has been armed using the Quick-Arm command [\*][0] or using the Auto-Arm feature, Access Code 1 will be transmitted.

### **[37] Opening (Disarming) Reporting Codes for Access Codes 1 - 8**

These 8 reporting codes correspond to the 8 Access Codes. When the system is disarmed using one of the Access Codes, the corresponding reporting code in this section is transmitted.

If the After Alarm Code is programmed, that code will be transmitted to the monitoring station on opening if an alarm occurred during previous armed period. This feature is useful for installations where openings and closings are not reported normally, but it is desired to have a report to the monitoring station on opening if an alarm did occur during the previous armed period. This feature allows the monitoring station to know when the user is on the premises and available to receive a report about alarms while the system was closed.

### **[38] Priority Alarms and Restorals**

These reporting codes are used by the communicator to transmit the following list of troubles, alarms and restorals:

- Keypad [F]ire alarm
- Keypad [A]uxiliary alarm
- Keypad [P]anic alarm
- 2-Wire Smoke Detector Alarm
- Keypad [F]ire restore
- Keypad [A]uxiliary restore
- Keypad [P]anic restore
- 2-Wire Smoke Detector Restoral

Transmission for operation of the [F], [A] and [P] keys will only take place if codes are programmed in Section [38].

### **[39] Maintenance Alarm Reporting Codes**

These reporting codes are used by the communicator to transmit the following list of alarms and restorals.

- Battery Trouble Alarm
- AC Failure Trouble Alarm
- Bell Circuit Trouble Alarm
- Fire Trouble Alarm
- Auxiliary Power Supply Trouble Alarm
- Periodic Test Transmission
- System Test

### **[40] Maintenance Restoral Reporting Codes**

These reporting codes are used by the communicator to transmit the following list of alarms and restorals.

- Battery Trouble Restoral
- AC Failure Trouble Restore
- Bell Circuit Trouble Restoral
- Fire Trouble Restoral
- Auxiliary Power Supply Trouble Restoral
- TLM Restoral

### **[41] For Future Use**

---

## [42] Communication Variables

Enter four 2-digit numbers in this section; do not press the [#] key while entering data.

### **Swinger Shutdown (number of transmission)**

This value defines the number of attempts (alarm and restoral pairs) per zone that the communicator will make before it shuts down for that zone ("swinger shutdown"). Program a 2-digit number form 00 to 99. When programmed as 00, the communicator will not be shut down and all alarms will be transmitted. Note that fire zones cannot be shut down; they will always transmit.

### **Delay Before Transmission (Burglary Zones Only)**

This value defines the delay before transmission. The delay is for zones defined as burglary zones only; 24-hour zones and fire zones will not be delayed. Program a time from 00 to 99 seconds.

### **AC Failure Communication Delay (minutes)**

This value determines the delay, in minutes, before an AC failure is reported. Program a number from 01 to 99.

### **Test Transmission Cycle (days)**

This value determines the period in days between test transmissions. Program a number from 01 to 99.

## [43] Test Transmission Time of Day

Program the time of the test transmission in this Section. Enter a 4-digit time using the 24-hour clock format (HH:MM). Valid entries are from 00 to 23 for the hours (HH), and 00 to 59 for the minutes (MM).

**NOTE:** If a test transmission is unsuccessful, a Failure to Communicate Trouble (indicated with Zone Light 5) will be generated. Note that the Test Reporting Code will not be transmitted with the next successful communication.

## [44] Communicator Format Options

This section sets the type of format which will be sent to each of the two telephone numbers programmed in Sections [30] and [32]. For each telephone number, enter a 2-digit number from the list below. Valid entries are from [00] to [11]; do not enter any other values.

The selection for each phone number is determined by the type of receiver being called. Enter the format number for the First telephone number first. It is necessary to program both telephone format numbers even if the first phone number is the only one being used.

- [00] Silent Knight / Ademco Slow, 10 BPS, 1400 Hz handshake
- [01] Sescoa, Franklin, DCI, Vertex, 20 BPS, 2300 Hz handshake
- [02] Silent Knight Fast, 20 BPS, 1400 Hz handshake
- [03] Radionics, 40 BPS, 2300/1400 Hz handshake
- [04] Radionics, 40 BPS, 2300/1400Hz handshake with parity
- [05] Sescoa Super Speed
- [06] Silent Knight / Ademco Slow, 10 BPS, 1400 Hz handshake, extended
- [07] Sescoa, Franklin, DCI, Vertex, 20 BPS, 2300 Hz handshake, extended
- [08] Silent Knight Fast, 20 BPS, 1400 Hz handshake, extended
- [09] Radionics, 40 BPS, 2300/1400 Hz handshake, extended
- [10] Radionics, 40 BPS, 2300/1400 Hz handshake, with parity, extended
- [11] Sescoa Super Speed with identified openings and closings

### **10 BPS and 20 BPS Formats**

**10 BPS** is the standard slow format used on Silent Knight/Ademco receivers.

DATA = 1900Hz                      KISSOFF = 1400Hz                      SPEED = 10 BAUD

**20 BPS** is the standard fast format used on DCI, Franklin, Sescoa and Vertex receivers.

DATA = 1800Hz                      KISSOFF = 2300Hz                      SPEED = 20 BAUD

### **Radionics Format**

For conventional 3/1 Radionics format the communications mode should be set to either Radionics rounds [09] or Radionics parity [10]. The extended version of the Radionics format is normally used. The following guidelines have been provided to help in configuring the PC2525 for Radionics format.

- 1 The customer account code must be only 3 digits with a zero making up the 4th digit (for example, program 1230 for account code 123).
- 2 The zone alarm reporting codes must all be single digit numerical codes with no extended 2nd round being sent. The zero in the 2nd digit of the reporting code tells the PC2525 not to send an extended round.

- 3 All other non-alarm reporting codes must be set up to send an extended 2nd round. The 1st digit of the reporting code is used to identify the event while the 2nd or extended digit is used to associate the event with a particular item (for example, a reporting code of E3 means restore zone 3; E for restore and 3 for zone 3).
- 4 The following is a list of 1st digit identifiers that should be used with the Radionics format:
  - Restorals "E"            Example "E3" = Restore Zone 3
  - Openings "B"            Example "B2" = Opening by User 2
  - Closings "C"            Example "C4" = Closing by User 4
  - Troubles "F"            Example "F5" = Trouble from Source 5
  - Misc "D"                Example "D1" = Partial Closing

### Sescoa Super Speed Format

The following guidelines are provided to help in configuring the PC2525 for use with the SESCOA Super Speed format.

- 1 The account code must be four decimal digits in length and in the range of 0001 to 3374.
- 2 The reporting codes must be 2 digits in length and programmed as follows.

Alarms Zones 1-8	Section [34]	A1 to A8
Restorals Zones 1-8	Section [35]	A1 to A8
All Opening Codes	Section [37]	BA
All Closing Codes	Section [36]	CA
Partial Closing	Section [36]	C1
Low Battery	Section [39]	E1
Battery Restorals	Section [40]	E1
AC Failure	Section [39]	E1
AC Restoral	Section [40]	E1
Bell Trouble	Section [39]	F1
Bell Restoral	Section [40]	F1
Troubles	Sections [39] & [40]	AA
Misc. Alarms	Section [38]	(A1 to 99)
Test Code	Section [39]	1C or DC
System Test Code	Section [39]	CC
After Alarm Code	Section [37]	B1
Auto-Arm Cancel Code	Section [36]	C8
TLM Restoral Code	Section [40]	EE

### [45] Communicator Call Direction

This section requires four single digit entries using the numbers 0 to 3 only. This section defines how the communicator will call the telephone numbers programmed in Sections [30] and [32] to report the following events:

- Zone Alarms and Restorals
- Priority Alarms and Restorals
- Access Codes Openings and Closings
- Maintenance Alarms and Restorals

Enter ONE digit from the list below for each of the above categories.

- 0 Disables the function (no transmission for the group)
- 1 Call First phone number and back-up to the Second phone number when Section [46] Zone Light 4 is OFF and the panel has made 8 unsuccessful tries on the First phone number.
- 2 Call the Second phone number only
- 3 Always call both phone numbers

If the [#] key is pressed during data entry, you will be returned to the installer's Programming Mode and data for this section will NOT be saved.

---

## [46] First Communicator Option Code

### **Zone Light 1: Communicator Disabled / Enabled**

- ON:** Communicator Disabled. The system's communicator will be shut off and events will not be transmitted to the monitoring station.
- **OFF:** Communicator Enabled. The system's communicator will be enabled and all events with reporting codes will be reported to the monitoring station. Refer to the Telephone Number, Reporting Code and Call Direction Programming Sections.

### **Zone Light 2: Restorals Reporting Option**

- ON:** Restorals on Bell Time-Out. Zone restoral reporting codes will not be transmitted until the zone has been restored and the Bell Cut-off Time has expired. If the zone is still active when the Bell Cut-off Time expires, the restoral will be transmitted when the zone restores or when the system is disarmed. Note that 24-Hour Zones will not restore until the zone is mechanically restored.
- **OFF:** Restorals Follow Zones. Zone restoral reporting codes will be transmitted when the zone is mechanically restored. If zones are still active when the system is disarmed, the restoral codes will be transmitted when the system is disarmed. Note that 24-Hour Zones will not restore until the zone is mechanically restored.

### **Zone Light 3: DTMF or Pulse Dialing**

- **ON:** DTMF Dialing. The control panel will dial telephone numbers using DTMF (dual tone multi-frequency) dialing.
- OFF:** Pulse Dialing. The control panel will dial telephone numbers using pulse (rotary) dialing.

### **Zone Light 4: Transmission Back-up Options**

- **ON:** Call First Telephone Number Only. When events programmed to report to the First Telephone Number are to be transmitted, up to eight attempts will be made to communicate to the First Telephone Number. If all eight attempts to communicate fail, a Failure to Communicate Trouble will be generated.
- OFF:** Back-up to Second Telephone Number. If eight attempts to communicate to the First Telephone Number fail, up to eight attempts will be made to communicate to the Second Telephone Number. If all eight attempts to communicate to the Second Telephone Number fail, a Failure to Communicate Trouble will be generated.

### **Zone Light 5: Partial Closing Identification Options**

- ON:** Partial Closings Identified. The alarm codes for all manually bypassed zones will be transmitted after the Partial Closing Code and before the Closing Access Code when the system is armed. **NOTE:** If "Partial Close on Auto-Arm" is enabled (Section [08] Zone Light 4 ON), the alarm codes for all of the zones force-armed by the Auto-Arming function will be transmitted after the Partial Closing Code and before the User Closing Code.
- **OFF:** Partial Closings Not Identified. Manually bypassed zones will not be identified when the system is armed; only the Partial Closing Code and the Closing Access Code will be transmitted.

### **Zone Light 6: Radionics Handshake Frequency Selection**

- ON:** 1400Hz Handshake. The system will accept handshake tones at 1400Hz when using Radionics communications formats.
- **OFF:** 2300Hz Handshake. The system will accept handshake tones at 2300Hz when using Radionics communications formats. Consult with the monitoring station to determine which communication formats and handshake frequencies are required.

### **Zone Light 7: Transmission Limit Reset Options**

- ON:** Transmissions Limited to 24-hour Period. The Swinger Shutdown counter will be reset when the system time changes from 23:59 (11:59 pm) to 00:00 (12:00 am).
- **OFF:** Transmissions Limited to Armed Period. The Swinger Shutdown counter will be reset when the system is next armed. The Swinger Shutdown counter is used to limit the number of alarms each zone may transmit. When a zone has generated the set number of alarms, any further alarms will be ignored and will not be transmitted. When the Swinger Shutdown counter is reset, zones that had been "shut down" after transmitting the set number of alarms will again be able to transmit alarms.

### **Zone Light 8 Closing Confirmation Enabled / Disabled**

- ON:** Closing Confirmation Enabled. When an Access Code is entered to arm the system, the Exit Delay time will not begin until one of the following events occurs:
  - The closing is successfully transmitted to the monitoring station. When the closing is transmitted, the keypad will sound an acknowledgement tone to indicate that the monitoring station has been advised of the closing. The Exit Delay will then begin.
  - The closing is not successfully transmitted to the monitoring station. If the closing cannot be transmitted, a Failure To Communicate Trouble will be generated. The Exit Delay time will begin once the trouble condition is indicated on the keypad.
  - The user may re-enter their Access Code to initiate the Exit Delay
  - **Closing Confirmation must not be enabled if an Escort Voice Assisted Security Control module is being used. Closing Confirmation must only be used if the system is programmed to report openings and closings.**
- **OFF:** Closing Confirmation Disabled. The Exit Delay time will commence once an Access Code is entered to arm the system.
- **Factory default setting**

## [47] - [48] For Future Use

---

# DOWNLOADING PROGRAMMING SECTIONS

## [70] First Downloading Option Code

### **Zone Light 1: Downloading Answer Enabled / Disabled**

- ON:** Downloading Answer Enabled. The system will answer calls for downloading after the number of rings programmed in Section [74].
- **OFF:** Downloading Answer Disabled. The system will not answer incoming calls. With Downloading Answer disabled, downloading must be performed with the User Call-up or Periodic Downloading functions.

### **Zone Light 2: User Call-up Enabled / Disabled**

- ON:** User Call-up Enabled. The user can have the system call the downloading computer by entering the [\*][6][Master Code][9] Command. For the User Call-up Command to function, a Downloading Computer Telephone Number and a Panel Identification Code need to be programmed.
- **OFF:** User Call-up Disabled.

### **Zone Light 3: Answering Machine Over-ride Enabled / Disabled**

- **ON:** Answering Machine Over-ride Enabled. The system may be connected to the same telephone line as an answering machine. To over-ride the answering machine, have the downloading computer call the system and let the telephone line ring only once or twice. After one or two rings, hang up. If the system is called back within the programmed Double Call Delay Time (000 to 249 seconds), the system will answer the next call on the first ring. Refer to Section [75] Answering Machine Double Call Timer.
- OFF:** Answering Machine Over-ride Disabled. The system will only answer incoming calls after the number of rings programmed in Section [74].

### **Zone Light 4: Downloading Call Back Enabled / Disabled**

- ON:** Downloading Call Back Enabled. When the system answers the downloading computer's call, both the computer and the system will hang up. The system will then call the Downloading Telephone Number and connect with the computer at that number. If more than one downloading computer is to be used, this function should be disabled.
- **OFF:** Downloading Call Back Disabled. The downloading computer will have immediate access to the system once the system is identified as a valid system.

### **Zone Light 5: Periodic Downloading Enable/Disable**

- ON:** Periodic Downloading Enabled. The system will automatically place a call to the downloading computer at the time programmed in the System Clock Times and at the interval, in days, programmed in the System Times. A Downloading Telephone Number must be programmed in the Downloading Computer Telephone Number Section.
- **OFF:** Periodic Downloading Disabled. The system will not perform automatic downloading functions.

### **Zone Lights 6 - 8: For Future Use**

- **OFF:** Zone Lights 6 through 8 are not used and are reserved for future use. Do not change the default settings at these locations. If a light is accidentally changed, refer to the Programming Worksheets and re-program the light to the default setting.
- **Factory default setting**

## [71] Downloading Computer's Telephone Number

This is the telephone number used to contact the downloading computer. Enter a telephone number in this section. The telephone number may contain up to 17 digits.

## [72] Downloading Access Code

This 4-digit code allows the system to verify that it is communicating with a valid downloading computer. Enter a 4-digit code using the numbers 0 through 9 only.

## [73] Panel Identification Code

This 4-digit code allows the downloading computer to verify that it is communicating with a valid control panel. Enter a 4-digit code using the numbers 0 through 9 only.

## [74] Number of Rings Before Answering

This section determines the number of rings before the system will pick-up the line and answer an incoming call. Refer to Section [75] Answering Machine Double-Call Timer.

## [75] Answering Machine Double-Call Timer

This location sets the amount of time between calls when using the answering machine override feature. The answering machine override feature allows an answering machine to be connected to the same phone line as the control panel. To contact the control panel, the downloading computer calls the panel and hangs up after the first or second ring. If the computer then calls the panel a second time within the delay programmed in this section, the system will answer the call on the first ring.

## [76] For Future Use



---

## LOCKOUT AND RESET SECTIONS

### *[90] Installer Lockout Enable*

When this feature is enabled, performing a hardware or software reset to restore the system's factory programming will not reset the Installer's Code or the Downloading Access Code.

To enable this feature, enter Section [90]. After entering Section [90], enter [Installer's Code][90] to confirm activation of this feature. If the Installer's Code and the Section number are not entered correctly, the keypad will sound a single long tone to indicate the error and the feature will not be enabled.

A panel that has this feature enabled will provide an audible indication upon power-up by clicking the telephone line relay 10 times. Ensure that the new Installer's Code has been entered correctly before enabling this feature as there is no way of re-entering the Programming Mode without the new Installer's Code.

### *[91] Installer Lockout Disable*

Entering Section [91] while in the installer's Programming Mode will disable the Installer Lockout feature described in Section [90].

To enable this feature, enter Section [91]. After entering Section [91], enter [Installer's Code][91] to confirm activation of this feature. If the Installer's Code and the Section number are not entered correctly, the keypad will sound a single long tone to indicate the error and the feature will not be enabled.

**NOTE:** Panels returned to DSC with the Installer Lockout feature enabled and no other apparent problems will be subject to an additional service charge.

### *[99] Factory Default*

Enter this section to reset the system's programming to the factory default settings.

To enable this feature, enter Section [99]. After entering Section [99], enter [Installer's Code][99] to confirm activation of this feature. If the Installer's Code and the Section number are not entered correctly, the keypad will sound a single long tone to indicate the error and the feature will not be enabled.

### *Hardware Reset of System Programming*

If the Installer's Code is lost or forgotten, the system's memory must be restored to the factory default settings before programming may be performed. Note that if the Installer Lockout feature has been enabled, the Hardware Reset will not restore the default Installer's Code.

#### **To restore the factory default programming:**

- 1 Remove power from the system by disconnecting the AC and battery
- 2 Remove any connections to the Zone 1 and PGM terminals
- 3 Connect the Zone 1 and PGM terminals together
- 4 With the Zone 1 and PGM terminals connected, apply AC power to the system
- 5 Wait for 20 seconds after applying power and then remove the connection between the Zone 1 and PGM terminals
- 6 The system's factory default programming has now been restored. Note that if the Installer's Lockout feature had been enabled, the Installer's Code and the Downloading Access Code will not be reset to the default settings.

# FOR THE RECORD

**Customer** \_\_\_\_\_

**Address** \_\_\_\_\_

**Phone** \_\_\_\_\_ Installation Date \_\_\_\_\_

## CONTACTS:

#1 Name \_\_\_\_\_ Phone \_\_\_\_\_

#2 Name \_\_\_\_\_ Phone \_\_\_\_\_

#3 Name \_\_\_\_\_ Phone \_\_\_\_\_

Installer's Code \_\_\_\_\_

## ZONES

Zone	Type	Protected Area
1	_____	_____
2	_____	_____
3	_____	_____
4	_____	_____
5	_____	_____
6	_____	_____
7	_____	_____
8	_____	_____

Entry Time \_\_\_\_\_ Exit Time \_\_\_\_\_

Bell Cutoff \_\_\_\_\_

## KEYPAD ZONES

[F] Key  ON  OFF Quick-Arm  ON  OFF

[A] Key  ON  OFF Quick-Exit  ON  OFF

[P] Key  ON  OFF Installers Lockout  ON  OFF

Installer's Name: \_\_\_\_\_

## NOTES

\_\_\_\_\_  
\_\_\_\_\_  
\_\_\_\_\_  
\_\_\_\_\_  
\_\_\_\_\_  
\_\_\_\_\_  
\_\_\_\_\_  
\_\_\_\_\_  
\_\_\_\_\_  
\_\_\_\_\_  
\_\_\_\_\_  
\_\_\_\_\_

## [00] Binary Programming Page 12

### [01] Zone Definitions Page 12

**Default**

<u>2</u>   <u>0</u>   <u>  </u>   <u>  </u>   <u>  </u>   <u>  </u>	Zone 1
<u>2</u>   <u>1</u>   <u>  </u>   <u>  </u>   <u>  </u>   <u>  </u>	Zone 2
<u>2</u>   <u>1</u>   <u>  </u>   <u>  </u>   <u>  </u>   <u>  </u>	Zone 3
<u>2</u>   <u>1</u>   <u>  </u>   <u>  </u>   <u>  </u>   <u>  </u>	Zone 4
<u>0</u>   <u>2</u>   <u>  </u>   <u>  </u>   <u>  </u>   <u>  </u>	Zone 5
<u>0</u>   <u>2</u>   <u>  </u>   <u>  </u>   <u>  </u>   <u>  </u>	Zone 6
<u>0</u>   <u>2</u>   <u>  </u>   <u>  </u>   <u>  </u>   <u>  </u>	Zone 7
<u>0</u>   <u>2</u>   <u>  </u>   <u>  </u>   <u>  </u>   <u>  </u>	Zone 8

**First Digit**

- 0 Audible
- 1 Silent
- 2 Chime, Audible
- 3 Chime, Silent

**Second Digit**

- 0 Delay
- 1 Instant
- 2 Interior
- 3 Interior Home-Away
- 4 24-hour Bell
- 5 24-hour Bell/Buzzer
- 6 24-hour Buzzer
- 7 Auxiliary Delay
- 8 Delayed Fire
- 9 Keyswitch Arm
- A Home-Away with Delay
- B Forced Answer

### [02] System Times Page 13

**Default**

<u>0</u>   <u>3</u>   <u>0</u>   <u>  </u>   <u>  </u>   <u>  </u>   <u>  </u>   <u>  </u>	Entry Delay (seconds)
<u>1</u>   <u>2</u>   <u>0</u>   <u>  </u>   <u>  </u>   <u>  </u>   <u>  </u>   <u>  </u>	Exit Delay (seconds)
<u>0</u>   <u>4</u>   <u>5</u>   <u>  </u>   <u>  </u>   <u>  </u>   <u>  </u>   <u>  </u>	Auxiliary Entry Delay (seconds)
<u>1</u>   <u>8</u>   <u>0</u>   <u>  </u>   <u>  </u>   <u>  </u>   <u>  </u>   <u>  </u>	Auxiliary Exit Delay (seconds)
<u>0</u>   <u>0</u>   <u>4</u>   <u>  </u>   <u>  </u>   <u>  </u>   <u>  </u>   <u>  </u>	Bell Cut-off Time (minutes)
<u>0</u>   <u>5</u>   <u>0</u>   <u>  </u>   <u>  </u>   <u>  </u>   <u>  </u>   <u>  </u>	Loop Response Time (× 10 ms)

**NOTE:** Auxiliary Delay Times must be longer than Standard Delay times.

**Loop Response Times** must be in the range of "010" to "255"; do not program times less than "010".

### [03] Installer's Code Page 13

**Default**

<u>2</u>   <u>5</u>   <u>2</u>   <u>5</u>   <u>  </u>   <u>  </u>   <u>  </u>   <u>  </u>
---

### [04] Master Code Page 13

**Default**

<u>1</u>   <u>2</u>   <u>3</u>   <u>4</u>   <u>  </u>   <u>  </u>   <u>  </u>   <u>  </u>
---

### [05] Second Master Code Page 13

**Default**

<u>A</u>   <u>A</u>   <u>A</u>   <u>A</u>   <u>  </u>   <u>  </u>   <u>  </u>   <u>  </u>
---

### [06] Programmable Output Options Page 14

**Default**

<u>0</u>   <u>1</u>   <u>  </u>   <u>  </u>	
00 2-Wire Smoke	08 Exit Delay Follow Mode
01 Utility Output	09 For Future Use
02 5-second Reset Pulse	10 Ground Start Pulse
03 Strobe Output (Latched Alarm)	11 TLM and Alarm
04 System Status (Arm/Disarm)	12 2nd Line Slave
05 Keypad Buzzer Follow Mode	13 Failure to Communicate
06 Courtesy Pulse (Entry/Exit)	14 Kissoff Output
07 Entry Delay Follow Mode	15 Remote Operation (requires DLS-1 v5.3 or later)

### [07] Keypad Lockout Options Page 15

**Default**

<u>0</u>   <u>0</u>   <u>  </u>   <u>  </u>	Number of Invalid Codes before Lockout
<u>0</u>   <u>0</u>   <u>  </u>   <u>  </u>	Lockout Duration (minutes)

[08] First System Option Code Page 15

◆ Required for UL-listed systems

<b>Default</b>		<b>Zone Light ON</b>	<b>Zone Light OFF</b>
<input type="checkbox"/> OFF	Zone Light 1	N/C Loops	End-of-line Resistor Loops ◆
<input type="checkbox"/> ON	Zone Light 2	60 second bypass on power-up	Zones active on power-up
<input type="checkbox"/> OFF	Zone Light 3	Force Arm on Auxiliary Delays	No Force Arm on Auxiliary Delays
<input type="checkbox"/> OFF	Zone Light 4	Partial close on Auto-Arm	No partial close reported
<input type="checkbox"/> OFF	Zone Light 5	Quick-Exit enabled	Quick-Exit disabled
<input type="checkbox"/> OFF	Zone Light 6	PC16OUT enabled	PC16OUT disabled
<input type="checkbox"/> OFF	Zone Light 7	AC excluded from Trouble	AC included in Trouble
<input type="checkbox"/> OFF	Zone Light 8	<b>For Future Use Zone Light 8 must be OFF at all times</b>	

[09] Second System Option Code Page 16

◆ Required for UL-listed systems

<b>Default</b>		<b>Zone Light ON</b>	<b>Zone Light OFF</b>
<input type="checkbox"/> OFF	Zone Light 1	Code 8: One-Time Use	Code 8: Normal Access Code
<input type="checkbox"/> OFF	Zone Light 2	Master Code not changeable	Master Code changeable
<input type="checkbox"/> OFF	Zone Light 3	Access Code required for Bypass ◆	Access Code not required for Bypass
<input type="checkbox"/> ON	Zone Light 4	Access Code to cancel Auto-Arm	No Access Code to cancel Auto-Arm
<input type="checkbox"/> OFF	Zone Light 5	Access Code for Utility Output	No Access Code for Utility Output
<input type="checkbox"/> ON	Zone Light 6	Alarms displayed while armed	Alarms displayed while disarmed only
<input type="checkbox"/> OFF	Zone Light 7	Show bypass status while armed	Bypass status displayed if disarmed only◆
<input type="checkbox"/> OFF	Zone Light 8	Show bypassed zones when armed	Bypassed zones displayed if disarmed only

[10] Third System Option Code Page 17

◆ Required for UL-listed systems

<b>Default</b>		<b>Zone Light ON</b>	<b>Zone Light OFF</b>
<input type="checkbox"/> OFF	Zone Light 1	2-minute Keypad Timeout	No Keypad Timeout
<input type="checkbox"/> OFF	Zone Light 2	[F] Key disabled	[F] Key enabled
<input type="checkbox"/> ON	Zone Light 3	[P] Key silent buzzer	[P] Key audible buzzer
<input type="checkbox"/> OFF	Zone Light 4	[P] Key audible bell	[P] Key silent bell
<input type="checkbox"/> OFF	Zone Light 5	Bell shutdown enabled	Bell shutdown disabled
<input type="checkbox"/> OFF	Zone Light 6	Bell Squawk enabled ◆	Bell Squawk disabled
<input type="checkbox"/> ON	Zone Light 7	No bell during Auto-Arm	Bell during Auto-Arm
<input type="checkbox"/> OFF	Zone Light 8	Exit Delay termination enabled	Exit Delay termination disabled

[11] Fourth System Option Code Page 18

<b>Default</b>		<b>Zone Light ON</b>	<b>Zone Light OFF</b>
<input type="checkbox"/> OFF	Zone Light 1	Bell pulses always	Bell pulses on Fire Alarm only
<input type="checkbox"/> OFF	Zone Light 2	Bell Squawk on Exit Delay	No Bell Squawk
<input type="checkbox"/> OFF	Zone Light 3	Bell Squawk on Entry Delay	No Bell Squawk
<input type="checkbox"/> ON	Zone Light 4	Audible Exit Fault enabled	Audible Exit Fault disabled
<input type="checkbox"/> ON	Zone Light 5	Audible exit with urgency	Standard Exit Delay
<input type="checkbox"/> ON	Zone Light 6	Urgency on Entry Delay	Standard Entry Delay
<input type="checkbox"/> OFF	Zone Light 7	TLM disabled	TLM enabled
<input type="checkbox"/> OFF	Zone Light 8	TLM silent (trouble)	TLM audible if armed

[12] *Bypass Mask for Zones 1 - 8* **Page 18**

**Default**

- ON  Zone Light 1
- ON  Zone Light 2
- ON  Zone Light 3
- ON  Zone Light 4
- ON  Zone Light 5
- ON  Zone Light 6
- ON  Zone Light 7
- ON  Zone Light 8

[13] *Bypass Mask for Access Codes 1 - 8* **Page 18**

**Default**

- ON  Zone Light 1
- ON  Zone Light 2
- ON  Zone Light 3
- ON  Zone Light 4
- ON  Zone Light 5
- ON  Zone Light 6
- ON  Zone Light 7
- ON  Zone Light 8

[30] *First Telephone Number* **Page 19**

\_\_\_\_\_

[31] *First Account Code* **Page 19**

\_\_\_\_\_

[32] *Second Telephone Number* **Page 19**

\_\_\_\_\_

[33] *Second Account Code* **Page 19**

\_\_\_\_\_

[34] *Alarm Reporting Codes, Zones 1 - 8* **Page 19**

- Zone 1 Alarm
- Zone 2 Alarm
- Zone 3 Alarm
- Zone 4 Alarm
- Zone 5 Alarm
- Zone 6 Alarm
- Zone 7 Alarm
- Zone 8 Alarm

**[35] Restoral Reporting Codes, Zones 1 - 8 Page 20**

- Zone 1 Restoral
- Zone 2 Restoral
- Zone 3 Restoral
- Zone 4 Restoral
- Zone 5 Restoral
- Zone 6 Restoral
- Zone 7 Restoral
- Zone 8 Restoral

**[36] Closing (Arming) Reporting Codes for Access Codes 1 - 8 Page 20**

- Access Code 1
- Access Code 2
- Access Code 3
- Access Code 4
- Access Code 5
- Access Code 6
- Access Code 7
- Access Code 8
- Partial Closing Code
- Auto-Arm Cancellation Code

**[37] Opening (Disarming) Reporting Codes for Access Codes 1 - 8 Page 20**

- Access Code 1
- Access Code 2
- Access Code 3
- Access Code 4
- Access Code 5
- Access Code 6
- Access Code 7
- Access Code 8
- Opening After Alarm Code

**[38] Priority Alarms and Restorals Page 20**

- Keypad [F]ire Alarm
- Keypad [A]uxiliary Alarm
- Keypad [P]anic Alarm
- 2-Wire Smoke Detector Alarm
- Keypad [F]ire Restoral
- Keypad [A]uxiliary Restoral
- Keypad [P]anic Restoral
- 2-Wire Smoke Detector Restoral

**[39] Maintenance Alarm Reporting Codes Page 20**

		Battery Trouble Alarm
		AC Failure Trouble Alarm
		Bell Circuit Trouble Alarm
		Fire Trouble Alarm
		Auxiliary Power Supply Trouble Alarm
		Periodic Test Transmission
		System Test

**[40] Maintenance Restoral Reporting Codes Page 20**

		Battery Trouble Restoral
		AC Failure Trouble Restoral
		Bell Circuit Trouble Restoral
		Fire Trouble Restoral
		Auxiliary Power Supply Trouble Restoral
		TLM Restoral

**[41] For Future Use Page 20****[42] Communication Variables Page 21****Default**

0  3		Swinger Shutdown (number of transmissions) <b>Must be disabled ("00") for UL-listed systems</b>
0  0		Delay Before Transmission (Burglary Zones) <b>Must be disabled ("00") for UL-listed systems</b>
3  0		AC Failure Communication Delay (minutes)
3  0		Test Transmission Cycle (days) <b>Must be set as "01" for UL-listed systems</b>

**[43] Test Transmission Time of Day Page 21****Default**

  9  9  9  9  

**[44] Communicator Format Options Page 21**

Valid entries are from [00] to [11]; do not enter any other values.

**Default**

0  1		First Telephone Number
0  1		Second Telephone Number
[00]		Silent Knight / Ademco Slow, 10 BPS, 1400 Hz handshake
[01]		Sescoa, Franklin, DCI, Vertex, 20 BPS, 2300 Hz handshake
[02]		Silent Knight Fast, 20 BPS, 1400 Hz handshake
[03]		Radionics, 40 BPS, 2300/1400 Hz handshake
[04]		Radionics, 40 BPS, 2300/1400Hz handshake with parity
[05]		Sescoa Super Speed
[06]		Silent Knight / Ademco Slow, 10 BPS, 1400 Hz handshake, extended
[07]		Sescoa, Franklin, DCI, Vertex, 20 BPS, 2300 Hz handshake, extended
[08]		Silent Knight Fast, 20 BPS, 1400 Hz handshake, extended
[09]		Radionics, 40 BPS, 2300/1400 Hz handshake, extended
[10]		Radionics, 40 BPS, 2300/1400 Hz handshake, with parity, extended
[11]		Sescoa Super Speed with identified openings and closings

[45] Communicator Call Direction **Page 22**

**Default**

- Zone Alarms and Restorals
- Access Code Openings and Closings
- Priority Alarms and Restorals
- Maintenance Alarms and Restorals

- Enter:**
- [0] No transmissions for this group
  - [1] Call First Telephone Number and back-up to Second Telephone Number (if enabled)
  - [2] Call Second Telephone Number only
  - [3] Always call both telephone numbers

[46] First Communicator Option Code **Page 23**

◆ **Required for UL-listed systems**

**Default**

- Zone Light 1
- Zone Light 2
- Zone Light 3
- Zone Light 4
- Zone Light 5
- Zone Light 6
- Zone Light 7
- Zone Light 8

**Zone Light ON**

- Communicator disable
- Restorals on Bell Timeout
- DTMF dialing
- Call First Telephone Number only
- Partial close identified
- 1400 Hz Radionics
- Transmission limited to 24-hour period
- Close confirmation enabled ◆

**Zone Light OFF**

- Communicator enabled
- Restorals follow zone
- Pulse dialing
- Back-up to Second Telephone Number
- Partial close not identified
- 2300 Hz Radionics
- Transmission limited to arming
- Close confirmation disabled

[47] For Future Use **Page 23**

[48] For Future Use **Page 23**

[70] First Downloading Option Code **Page 24**

**Default**

- Zone Light 1
- Zone Light 2
- Zone Light 3
- Zone Light 4
- Zone Light 5
- Zone Light 6
- Zone Light 7
- Zone Light 8

**Zone Light ON**

- Ring Detect enabled
- User Call-up enabled
- Answering machine connected to line
- Call-back enabled
- Periodic Downloading enabled
- For Future Use
- For Future Use
- For Future Use

**Zone Light OFF**

- Ring Detect disabled
- User Call-up disabled
- No answering machine
- Call-back disabled
- Periodic Downloading disabled

[71] Downloading Computer's Telephone Number **Page 24**

\_\_\_\_\_

[72] Downloading Access Code **Page 24**

**Default**

\_\_\_\_\_

[73] Panel Identification Code **Page 24**

**Default**

\_\_\_\_\_



[74] *Number of Rings Before Answering* **Page 24**

**Default**

Valid entries are [01] to [12]

[75] *Answering Machine Double-Call Timer* **Page 24**

**Default**

Valid entries are [001] to [249]

[76] *For Future Use* **Page 24**

[90] *Installer Lockout Enable* **Page 25**

Enter [90][Installer's Code][90]

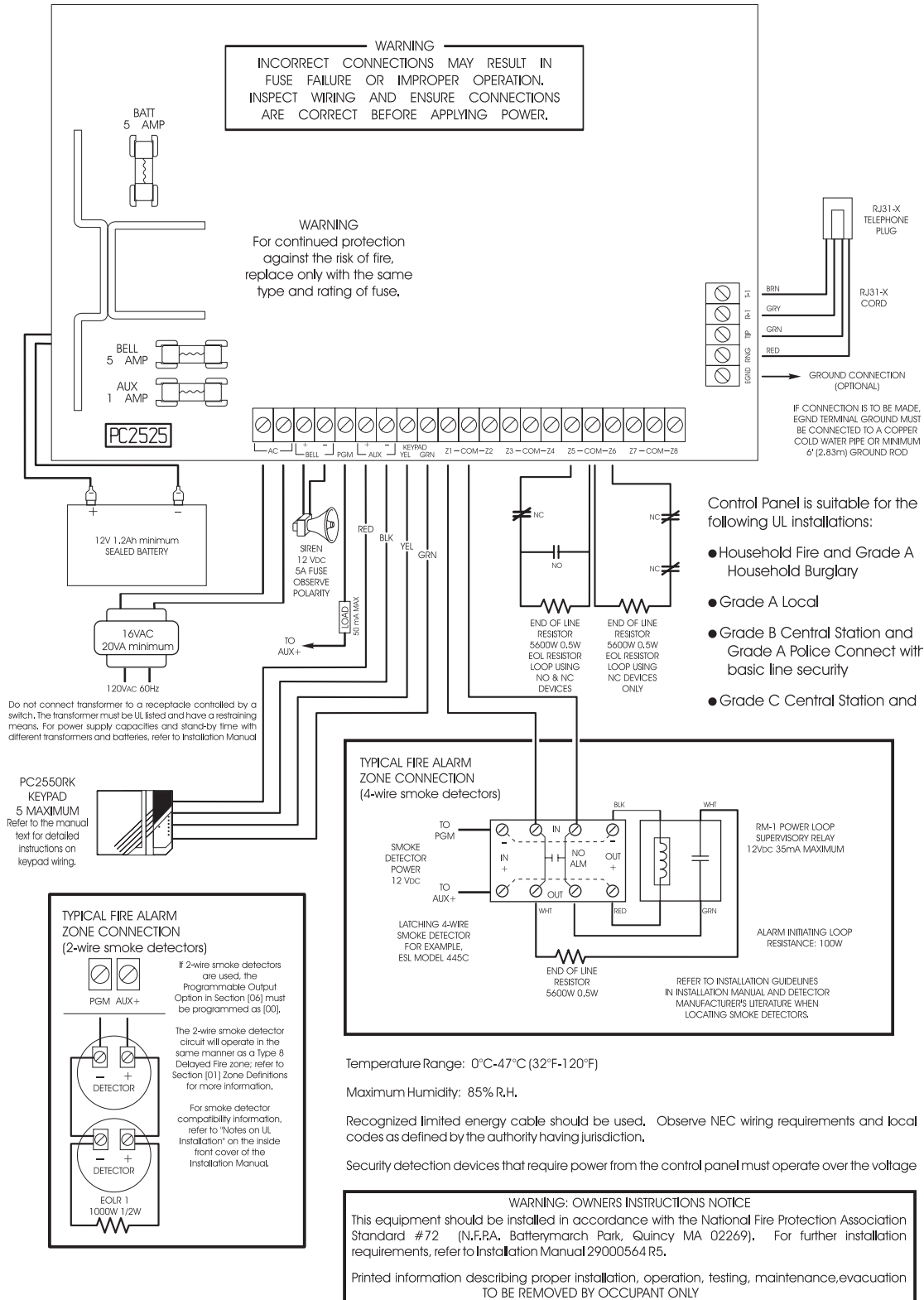
[91] *Installer Lockout Disable* **Page 25**

Enter [91][Installer's Code][91]

[99] *Factory Default* **Page 25**

Enter [99][Installer's Code][99]

# HOOK-UP DIAGRAM



## LIMITED WARRANTY

Digital Security Controls Ltd. warrants that for a period of twelve months from the date of purchase, the product shall be free of defect in materials and workmanship under normal use and that in fulfillment of any breach of such warranty, Digital Security Controls Ltd. shall, at its option, repair or replace the defective equipment upon return of the equipment to its repair depot. This warranty applies only to defects in parts and workmanship and not to damage incurred in shipping or handling, or damage due to causes beyond the control of Digital Security Controls Ltd. such as lightning, excessive voltage, mechanical shock, water damage, or damage arising out of abuse, alteration or improper application of the equipment.

The foregoing warranty shall apply only to the original buyer, and is and shall be in lieu of any and all other warranties, whether expressed or implied and of all other obligations or liabilities on the part of Digital Security Controls Ltd. This warranty contains the entire warranty. Digital Security Controls Ltd. neither assumes, nor authorizes any other person purporting to act on its behalf to modify or to change this warranty, nor to assume for it any other warranty or liability concerning this product.

In no event shall Digital Security Controls Ltd. be liable for any direct, indirect or consequential damages, loss of anticipated profits, loss of time or any other losses incurred by the buyer in connection with the purchase, installation or operation or failure of this product.

**WARNING: Digital Security Controls Ltd. recommends that the entire system be completely tested on a regular basis. However, despite frequent testing, and due to, but not limited to, criminal tampering or electrical disruption, it is possible for this product to fail to perform as expected.**

### *FCC Compliance*

**CAUTION:** Changes or modifications not expressly approved by Digital Security Controls Ltd. could void your authority to use this equipment.

This equipment has been tested and found to comply with the limits for a Class B digital device, pursuant to Part 15 of the FCC Rules. These limits are designed to provide reasonable protection against harmful interference in a residential installation. This equipment generates, uses and can radiate radio frequency energy and, if not installed and used in accordance with the instructions, may cause harmful interference to radio communications. However, there is no guarantee that interference will not occur in a particular installation. If this equipment does cause harmful interference to radio or television reception, which can be determined by turning the equipment off and on, the user is encouraged to try to correct the interference by one or more of the following measures:

- Re-orient the receiving antenna.
- Increase the separation between the equipment and receiver.
- Connect the equipment into an outlet on a circuit different from that to which the receiver is connected.
- Consult the dealer or an experienced radio/television technician for help.

The user may find the following booklet prepared by the FCC useful: "How to Identify and Resolve Radio/Television Interference Problems". This booklet is available from the U.S. Government Printing Office, Washington D.C. 20402, Stock # 004-000-00345-4

#### *Important Information*

This equipment complies with Part 68 of the FCC Rules. On the side of this equipment is a label that contains, among other information, the FCC registration number of this equipment.

**Notification to Telephone Company:** Upon request, the customer shall notify the telephone company of the particular line to which the connection will be made, and provide the FCC registration number and the ringer equivalence of the protective circuit.

**FCC Registration Number:** F53CAN-20054-AL-E **Ringer Equivalence Number:** 0.1B **USOC Jack:** RJ-31X

**Telephone Connection Requirements:** Except for the telephone company provided ringers, all connections to the telephone network shall be made through standard plugs and telephone company provided jacks, or equivalent, in such a manner as to allow for easy, immediate disconnection of the terminal equipment. Standard jacks shall be so arranged that, if the plug

connected thereto is withdrawn, no interference to the operation of the equipment at the customer's premises which remains connected to the telephone network shall occur by reason of such withdrawal.

**Incidence of Harm:** Should terminal equipment or protective circuitry cause harm to the telephone network, the telephone company shall, where practicable, notify the customer that temporary disconnection of service may be required; however, where prior notice is not practicable, the telephone company may temporarily discontinue service if such action is deemed reasonable in the circumstances. In the case of such temporary discontinuance, the telephone company shall promptly notify the customer and will be given the opportunity to correct the situation.

**Additional Telephone Company Information:** The security control panel must be properly connected to the telephone line with a USOC RJ-31X telephone jack. The FCC prohibits customer-provided terminal equipment be connected to party lines or to be used in conjunction with coin telephone service. Inter-connect rules may vary from state to state.

**Changes in Telephone Company Equipment of Facilities:** The telephone company may make changes in its communications facilities, equipment, operations or procedures, where such actions are reasonably required and proper in its business. Should any such changes render the customer's terminal equipment incompatible with the telephone company facilities the customer shall be given adequate notice to the effect modifications to maintain uninterrupted service.

**Ringer Equivalence Number (REN):** The REN is useful to determine the quantity of devices that you may connect to your telephone line and still have all of those devices ring when your telephone number is called. In most, but not all areas, the sum of the RENs of all devices connected to one line should not exceed five (5.0). To be certain of the number of devices that you may connect to your line, you may want to contact your local telephone company.

**Equipment Maintenance Facility:** If you experience trouble with this telephone equipment, please contact the facility indicated below for information on obtaining service or repairs. The telephone company may ask that you disconnect this equipment from the network until the problem has been corrected or until you are sure that the equipment is not malfunctioning.

**Digital Security Controls Ltd.**

160 Washburn Street  
Lockport, NY 14094

# NOTES ON UL INSTALLATION

This equipment is UL Listed in accordance with standard UL1023 (Household Burglar – Alarm System Units), standard UL985 (Household Fire Warning Units), UL1635 (Digital Alarm Communicator System Units), standard UL365 (Police Station Connected Burglar Alarm Units and Systems), standard UL609 (Local Burglar Alarm Units and Systems), and standard UL 1610 (Central Station Burglar Alarm Units).

This equipment has the capability of being programmed for operational features that are not allowed for UL Listed installations. To stay within the standard for household applications, the installer should use the following guidelines when configuring the system.

1. ALL components of the system should be UL Listed for the intended application. Note elsewhere in this manual, recommendations for smoke detectors and battery to be used with this equipment.
2. If this system is configured for "Fire", the installer should refer to NFPA Standards #72 for details on locating smoke detectors. When the "Fire" feature is enabled, there must be at least one UL Listed indoor Fire Alarm Warning Signalling Appliance.
3. Residential fire and burglary systems:  
Maximum allowed entry time = 45 seconds  
Maximum allowed exit time = 60 seconds  
Minimum allowed bell cutoff time = 4 minutes
4. The "Split Arming" feature is not allowed for UL Listed installation. The equipment must be configured as a single system.
5. User bypass must be enabled so that a user code is required to bypass zones.
6. The installer should caution the user to NOT give system information to casual users e.g.: Codes, bypass methods, etc. to babysitters of home service people. Only the "One-Time" use code should be given to the casual user.
7. The installer should advise the user and note in the user manual:
  - Service organization name and telephone number
  - The programmed exit time
  - The programmed entry time
8. Remote programming must be disabled.
9. Grade A Local Mercantile Alarm Unit Installations
  - Listed Grade A bell Model AMSECO MBL10B and bell housing Model AB-12
  - Alarm enclosure Model CMC-1, with door tamper.
  - Maximum 60 seconds of exit and entrance delays.
  - Provision is made for bell test upon arming.
  - Use of integral DACT (Digital Alarm Communicator Transmitter).
10. Grade A Police Station Connected Burglar Alarm Installations  
Same as Grade A Local Mercantile Alarm Unit Installations with the following addition: An audible ringback indication is provided at the keypad to indicate completion of the closing signal transmission to the digital alarm communicator receiver.
11. Grade B Central Station Alarm Unit Installations  
Same as Grade A Local Mercantile Alarm Unit Installations and Same as Grade A Police Station Connected Burglar Alarm Installations .
12. Grade C Central Station Alarm Unit Installations  
Same as Grade B Central Station Alarm Unit Installations with the following exception: the bell and listed Model CMC-1 alarm housing are not required.
13. Grade A Residential Burglary Warning System
14. Household Fire Warning System
15. 2-Wire Smoke Detector Information  
Zone Identifier: PFA1  
Type Zone: Standard  
Loop Style: Class B, Style B  
Maximum Line Resistance: 100 $\Omega$  total  
End of Line Device: EOLR-1, 1000 $\Omega$  0.5W  
Maximum Detectors: 20  
Compatible Detector Models: Falcon Detection Technologies Model 525 and 525T

***This manual is for the PC2525 software version 1.1***

**See back cover for new  
False Alarm Prevention Features**

# INSTALLATION MANUAL



**PC2525**  
Version 1.1

This device complies with Parts 15 and 68 of the FCC Rules. Operation is subject to the following two conditions: (1) this device may not cause harmful interference, and (2) this device must accept any interference received, including interference that may cause undesired operation.

FCC Registration Number: F53CAN-20054-AL-E

REN = 0.1B

Plug Type: RJ31X

Made in Canada

---

## PC2525 FALSE ALARM PREVENTION FEATURES

The PC2525 has been designed with several new features designed to reduce the possibility of false alarms caused by operator error. These features include the following:

### Section [02] System Times

System times now allow more than 4 minutes for the Entry or Exit delay to allow users more time to enter or leave the premises where circumstances warrant. The default setting for the Exit Delay is set at 120 seconds.

### Section [06] Programmable Output Options

Option 07 and 08 allow the PGM Output to be activated for the Entry Delay and Exit Delay respectively. These options may be used to activate warning devices to warn occupants on the premises that the security system is being armed or disarmed.

### Section [11] 4th System Option Code

The 4th System Option Code adds 5 false alarm prevention features. Each feature is enabled by turning the appropriate Zone Light ON.

- Zone Light 2    Bell Squawk During Exit Delay**  
The bell/siren will squawk during the Exit Delay.
- Zone Light 3    Bell Squawk During Entry Delay**  
The bell/siren will squawk during the Entry Delay.
- Zone Light 4    Audible Exit Fault**  
When enabled, the bell/siren will sound with a steady tone to warn the user that the system has been armed with a Delay Zone left open.
- Zone Light 5    Audible Exit Delay with Urgency**  
The Keypad will sound a pulsing tone during the Exit Delay. The pulsing tone will quicken during the last 10 seconds of the Exit Delay to warn that the delay is about to expire.
- Zone Light 6    Urgency Applied to Entry Delay**  
The Keypad will sound a steady tone during the Entry Delay. The Keypad will then sound a pulsing tone during the last 10 seconds of the Entry Delay to warn that the delay is about to expire.

### *New Exit Delay Termination Feature*

#### **Section [10] Third System Option Code**

The Third System Option Code features a new Exit Delay Termination feature.

- Zone Light 8    Exit Delay Termination**  
When enabled. The Exit Delay will be terminated once the Delay Zone for the entry/exit door or area is restored. All audible options associated with the Exit Delay will be silenced when the Exit Delay is terminated.

### *New Downloading Software*

Downloading Software DLS-1 Version 5.3U must be used to upload and download with the new PC2525 v1.1 Software. Earlier versions of the DLS-1 software are not compatible with the PC2525.



---

# TABLE OF CONTENTS

---

<b>FEATURES</b>	<b>1</b>
<b>SPECIFICATIONS</b>	<b>1</b>
<b>INSTALLATION</b>	<b>2</b>
Mounting the Panel .....	2
Mounting the Keypad .....	2
Auxiliary Power Connection .....	2
Bell/Siren Connection .....	2
PGM Terminal Connections .....	2
Keypad Wiring .....	2
AC Power Wiring .....	2
Battery Connection .....	2
Telephone Line Wiring .....	2
Ground Connection: EGND Terminal .....	2
Fire Zone Wiring .....	3
Burglary Zone Wiring .....	3
<b>GUIDELINES FOR LOCATING SMOKE DETECTORS</b>	<b>4</b>
<b>KEYPAD FUNCTIONS</b>	<b>5</b>
Introduction .....	5
Master Code .....	5
Second Master Code .....	5
Installer's Programming Code .....	5
Arming .....	5
Auto-Bypass/Home-away Arming .....	5
Arming Without Entry Delay .....	5
Disarming .....	6
Quick-Exit Command ..... [*]+[0] when Armed .....	6
Quick-Arm Command ..... [*]+[0] when Disarmed .....	6
Zone Bypassing ..... [*]+[1] .....	6
Trouble Conditions ..... [*]+[2] .....	7
Alarm Memory ..... [*]+[3] .....	7
Door Chime ON / OFF Command ..... [*]+[4] .....	7
User Programming Commands ..... [*]+[5]+[Master Code] .....	8
User Function Commands ..... [*]+[6]+[Master Code] .....	8
Setting the Clock ..... [*]+[6]+[Master Code]+[1] .....	9
Set Auto-Arm Time ..... [*]+[6]+[Master Code]+[2] .....	9
Quick-Arm ON/OFF ..... [*]+[6]+[Master Code]+[4] .....	9
Auto-Arm ON/OFF ..... [*]+[6]+[Master Code]+[5] .....	9
System Test ..... [*]+[6]+[Master Code]+[8] .....	9
User Call-up ..... [*]+[6]+[Master Code]+[9] .....	9
Installer's Test ON/OFF ..... [*]+[6]+[Master Code]+[0] .....	9
Utility Output Command ..... [*]+[7] or [*]+[7]+[Access Code] .....	10
Installer's Programming Command ..... [*]+[8]+[Installer's Code] .....	10
At-Home Arming ..... [*]+[9]+[Access Code] .....	10
Keypad Zones [F], [A], [P] .....	10
<b>PROGRAMMING</b>	<b>11</b>
Introduction .....	11
Programming .....	11
Reviewing Programmed Data .....	11
Sections [08] through [13], [46] and [70] .....	11
Binary Data Display .....	11
HEX Data Programming .....	11
<b>SYSTEM PROGRAMMING SECTIONS</b>	<b>12</b>
[00] Binary Programming .....	12
[01] Zone Definitions for Zones 1 to 8 .....	12
[02] System Times .....	13
[03] Installer's Code .....	13
[04] Master Code .....	13

[05] Second Master Code .....	13
[06] Programmable Output Options .....	14
[07] Keypad Lockout Options .....	15
[08] First System Option Code .....	15
[09] Second System Option Code .....	16
[10] Third System Option Code .....	17
[11] Fourth System Option Code .....	18
[12] Bypass Mask for Zones 1 - 8 .....	18
[13] Bypass Mask for Access Codes 1 - 8 .....	18

---

**COMMUNICATIONS PROGRAMMING SECTIONS** 19

[30] First Telephone Number .....	19
[31] First Account Code .....	19
[32] Second Telephone Number .....	19
[33] Second Account Code .....	19
[34] Alarm Reporting Codes, Zones 1 - 8 .....	19
[35] Restoral Reporting Codes, Zones 1 - 8 .....	20
[36] Closing (Arming) Reporting Codes for Access Codes 1 - 8 .....	20
[37] Opening (Disarming) Reporting Codes for Access Codes 1 - 8 .....	20
[38] Priority Alarms and Restorals .....	20
[39] Maintenance Alarm Reporting Codes .....	20
[40] Maintenance Restoral Reporting Codes .....	20
[41] For Future Use .....	20
[42] Communication Variables .....	21
[43] Test Transmission Time of Day .....	21
[44] Communicator Format Options .....	21
[45] Communicator Call Direction .....	22
[46] First Communicator Option Code .....	23
[47] - [48] For Future Use .....	23

---

**DOWNLOADING PROGRAMMING SECTIONS** 24

[70] First Downloading Option Code .....	24
[71] Downloading Computer's Telephone Number .....	24
[72] Downloading Access Code .....	24
[73] Panel Identification Code .....	24
[74] Number of Rings Before Answering .....	24
[75] Answering Machine Double-Call Timer .....	24
[76] For Future Use .....	24

---

**LOCKOUT AND RESET SECTIONS** 25

[90] Installer Lockout Enable .....	25
[91] Installer Lockout Disable .....	25
[99] Factory Default .....	25
Hardware Reset of System Programming .....	25

---

**FOR THE RECORD** 26

---

**PROGRAMMING WORKSHEETS** 27 - 33

---

**HOOK-UP DIAGRAM** 34

---

**LIMITED WARRANTY** *INSIDE BACK COVER*

---

**FCC COMPLIANCE** *INSIDE BACK COVER*

---

**NOTES ON UL INSTALLATION** *INSIDE FRONT COVER*